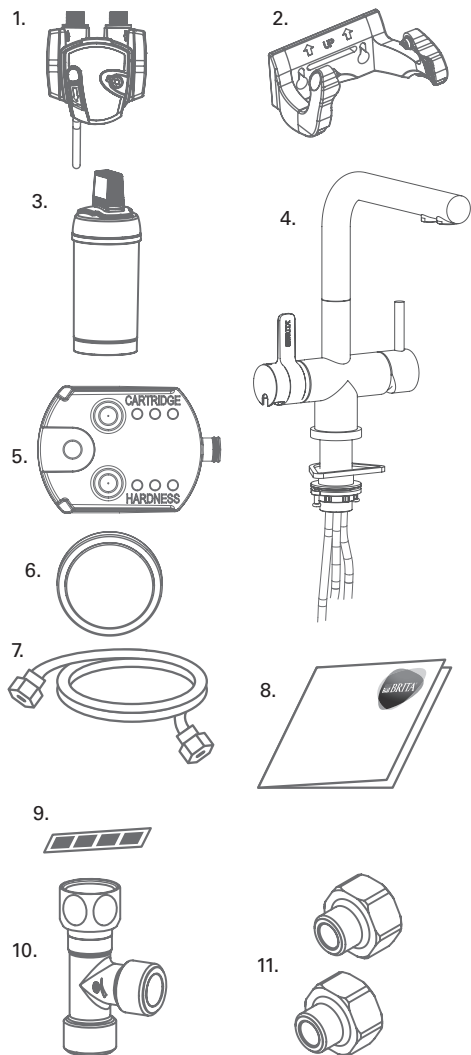




Instructions for use | Gebrauchsanleitung | Mode
d'emploi | Istruzioni per l'uso | Instrucciones de uso |
Instructies voor gebruik | Instrukcja obsługi

www.register.brita.net





(fig. 1)

ENGLISH

I. Introduction	Page 3
II. Easy Installation in 7 steps	Page 4-7
III. Replacing the filter cartridge	Page 8
IV. Maintenance and cleaning	Page 8
V. Troubleshooting	Page 9
VI. Technical data	Page 10
VII. Important notes	Page 12
VIII. BRITA Service	Page 13

DEUTSCH

I. Einführung	Seite 14
II. Einfache Installation in 7 Schritten	Seite 15-19
III. Wechsel der Filterkartusche	Seite 19
IV. Wartung und Reinigung	Seite 19
V. Fehlerbehebung	Seite 20
VI. Technische Daten	Seite 20
VII. Wichtige Hinweise	Seite 22
VIII. BRITA Service	Seite 23

FRANÇAIS

I. Introduction	Page 24
II. Installation simple en 7 étapes	Page 25-28
III. Remplacement de la cartouche filtrante	Page 29
IV. Entretien et nettoyage	Page 30
V. Dépannage	Page 30
VI. Caractéristiques techniques	Page 31
VII. Remarques importantes	Page 33
VIII. Service consommateurs BRITA	Page 34

ITALIANO

I. Introduzione	Pagina 36
II. Installazione semplice in 7 fasi	Pagina 37-40
III. Sostituzione del filtro	Pagina 41
IV. Manutenzione e pulizia	Pagina 41
V. Risoluzione dei problemi	Pagina 42
VI. Dati tecnici	Pagina 42
VII. Note importanti	Pagina 44
VIII. Assistenza BRITA	Pagina 45

ESPAÑOL

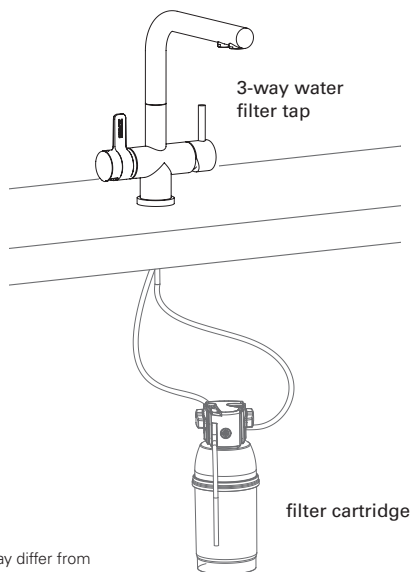
I. Introducción	Página 46
II. Instalación en 7 sencillos pasos	Página 47-50
III. Sustitución del cartucho filtrante	Página 51
IV. Mantenimiento y limpieza	Página 51
V. Resolución de problemas	Página 52
VI. Datos técnicos	Página 52
VII. Notas importantes	Página 54
VIII. Servicio BRITA	Página 55

NEDERLANDS

I. Inleidende	Pagina 56
II. Eenvoudige installatie in 7 stappen	Pagina 57
III. Het filterpatroon vervangen	Pagina 61
IV. Onderhoud en reiniging	Pagina 62
V. Problemen oplossen	Pagina 62
VI. Technische gegevens	Pagina 63
VII. Belangrijke opmerkingen	Pagina 65
VIII. BRITA Service	Pagina 66

POLSKI

I. Wprowadzenie	Strona 68
II. Łatwy montaż w 7 krokach	Strona 69–73
III. Wymiana wkładu filtrującego	Strona 73
IV. Konserwacja i czyszczenie	Strona 73
V. Rozwiązywanie problemów	Strona 74
VI. Dane techniczne	Strona 75
VII. Ważne informacje	Strona 77
VIII. Dział obsługi BRITA	Strona 78



Design may differ from image shown

1 Thank you

Thank you for choosing this BRITA filter tap. To ensure that you enjoy all the benefits of great tasting BRITA water on demand, please follow all the installation, operating and servicing instructions carefully before installing.

2 Parts included

Your mypure filtration system includes the following (see fig. 1):

1. Filter head with settings ("A", "B", "C" and "0") including a convenient locking handle
2. Flexible wall mount bracket for filter head
3. Filter cartridge
4. 3-way water filter tap (design may differ from image shown)
5. BRITA Cartridge Status Indicator
6. Battery (CR2032)
7. Flexible hose to filter system
8. Usage Instructions
9. Water hardness testing strip
10. T-piece
11. 2 Adapter 1/2" female thread to 3/8" male thread (Only in UK)

Recommended tools for installation: one Allen hexagonal key (4 mm), a pipe wrench with adjustable spanner or a 19 mm and 26 mm spanner, a screwdriver, optional sealing tape (for pressure limiting valve). For wall mounting the cartridge (optional), you need: two screws (e.g. 5 mm in size) and two wall plugs (if necessary).

Please use appropriate screws and wall plugs for the type of wall in the under-sink compartment.

3 Warranty

The mypure filter tap is subject to the statutory guarantee of 2 years. A guarantee claim may be asserted only if all instructions in this handbook are followed and observed.

Any warranty claims will be voided if defective installation is deemed to have contributed to malfunction. Installation needs to take place in accordance with the instructions and all relevant plumbing codes and standards.

Before starting, please check that you have all the components as listed above (see fig. 1) as well as the recommended tools. There are 7 steps to the installation.



Installation of the filter system must comply with the relevant state or local plumbing regulations and standards.



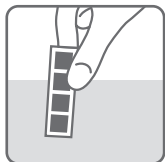
Prior to installation, read the Technical Data (chapter 6) and the Operation and Safety Information. (After storage and transport below 0°C, the product must be stored in the open original packaging for at least 24 hours at the stated ambient temperatures (chapter 6.1) for operation.) The system cannot be installed with a low pressure boiler.

II. Easy installation in 7 steps

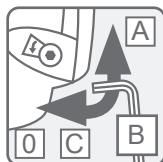
Step 1: Selecting appropriate setting on the filter head

The filter head is set to "B" by default.

For use with the supplied A 1000 filter cartridge you need to change the setting in the window to "0". Use a 4 mm allen key (hexagonal socket wrench) and turn the hexagonal nut in the direction of the arrow in the window until the "0" appears. Refer fig. 2)



(fig. 2)



(fig. 3)




For use with the supplied P 1000 filter cartridge selecting the water hardness setting (A/B/C) on the filter head.

The filter head offers three settings for medium hard water (A), hard water (B) and very hard water (C). Please follow the instructions below to adjust to the right setting for your local water. First carry out a water hardness test using the supplied testing strip.

Using the testing strip:

- Immerse all reaction zones of the test strip in a glass of your regular tap water (15 - 30 °C) for 1 second (not in running water!) (fig. 2).
- Shake off excess liquid from the strip and after 1 min check how many reaction zones changed their colour on the test strip.

Depending on the number of reaction zones that changed their colour, we recommend setting your filter head as follows:

Setting	A	B	C
number of reaction zones that changed their colour			

Now you can change the setting for the hardness of your water. To change the setting, use an Allen key (4 mm). For setting C, turn in the direction of the arrow until "C" appears in the window. For setting A, turn against the direction of the arrow until "A" appears in the window fig. 3

The filter head includes a flow regulator to help smooth water flow, even at high pressures.

Step 2: Starting the BRITA Cartridge Status Indicator

The BRITA Cartridge Status Indicator reminds you through three different coloured flashing lights when to exchange the filter cartridge.

A Commissioning:

Remove the plastic battery strip (fig. 4). All LEDs should flash shortly. Close the compartment. Push the reset button for 3 seconds until a small green light flashes three times at the top (fig. 4).

B Initial programming of the BRITA Cartridge Status Indicator:

Depending on the setting you chose for the filter head (step1), you will program the BRITA Cartridge Status Indicator as follows (see fig. 4):

- Push the button on the left side (CARTRIDGE) to set the cartridge you are using. If you push the button once, two yellow LEDs will flash (default cartridge setting: P 1000). Then push the button until the correct setting for filter cartridge appears:

If you are using the filter cartridge A 1000, push the button, until one yellow LED flashes.

If you are using the filter cartridge P 1000, push the button, until two yellow LEDs flash.

If you are using the filter cartridge P 3000, push the button, until three yellow LEDs flash (see table below).

- Push the button on the right side (HARDNESS) to choose the water hardness. If you push the button once, two yellow LEDs will flash (default hardness setting: B). Then push the button until your correct water hardness setting appears:

To choose the water hardness setting C, push the button until one yellow LED flashes.

To choose the water hardness setting B, push the button until two yellow LEDs flash.

To choose the water hardness setting A, push the button until three yellow LEDs flash (see table below).

When using the system with the A1000 cartridge, the setting of the hardness level is not necessary and will have no impact on the cartridge lifetime.

- To change a setting, simply push the button until the right number of lights are flashing.
- Insert the BRITA Cartridge Status Indicator into the BRITA branded lever (see fig. 5).

C How the BRITA Cartridge Status Indicator works

To ensure optimal performance, you should change the filter cartridge on a regular basis. The BRITA Cartridge Status Indicator in the BRITA lever tells you when to change the filter cartridge.

D Signals

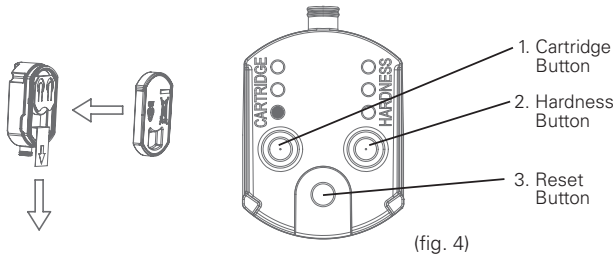
The three lights in the BRITA lever are only activated in the filtering position. They indicate:

- Green light: The BRITA filter is working at optimum performance.
- Yellow light: 90% of the filter capacity has been used. Remember to buy a new replacement filter cartridge.
- Red light: The filter cartridge is exhausted and needs to be changed.

Technical data:

- Battery: 1x CR2032 (removable)
- lifetime of battery: app. 2 years

! Do not immerse Cartridge Status Indicator in water.

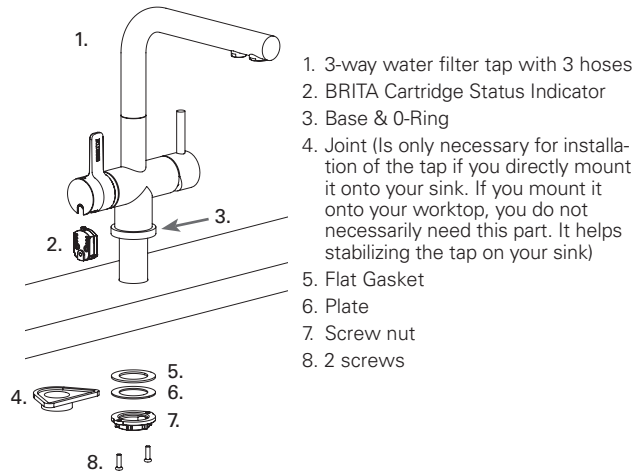


	1 LED	2 LEDs	3 LEDs
water hardness setting (HARDNESS)	C	B	A
cartridge setting (CARTRIDGE)	A 1000	P 1000	P 3000

Step 3: Installing the 3-way water filter tap

To install the 3-way water filter tap, firstly ensure you have all the components required.

! Please, make sure that there is enough room and access under the sink to allow for the installation of the filter head and cartridge, and to connect all hoses.



Design may differ from image shown

First of all, remove your existing kitchen tap.

- a) Turn off the cold and hot water supplies
- b) Please make sure you release any pressure by opening all levers.

! No water should run through the existing kitchen tap.

- c) Unscrew the existing hoses from the cold and hot water supply.

! We recommend placing a suitable container under the water supply as there will be water left in the hoses which will run down when you unscrew them.

- d) Unscrew your kitchen tap – there is no standard mounting but in general a pipe wrench will help you to unmount it.
- e) Pull out both your kitchen tap and the hoses.

! Make sure a suitable container is placed under the water supply. Open the water supply to rinse the pipes thoroughly before installing the new tap. Caution on the warm water supply.

- f) Put your 3-way filter tap in the 35 mm hole. Ensure the correct order of the components. Check tap position and fix the screw nut, then the 2 additional screws (fig. 5, no. 7+8).

Step 4: Install the filter system

Please follow the diagram below (see fig. 6) and perform the steps in the right order.

! If you do have an additional free 1/2" or 3/8" cold water supply for the 3-way filter tap in your kitchen, you do not need to install the supplied T-piece. If your water supply does not fit the 3/8" connector, use the supplied adapter. Your Installation Kit comes with two 1/2" adapters.

Connect the T-piece

Connect the supplied T-piece with the cold water angle valve. Please make sure that pre-assembled gasket is right inside.

Attaching the hoses

All hoses have pre-installed gaskets. Please make sure that no gasket is missing and that pre-assembled gasket is inside.

A) 3 hoses from the filter tap

- Connect the hose with the red stripe with your hot water supply.
- Connect the hose with the blue stripe to one side of the T-piece.

- Connect the 1000 mm grey hose which is connected with the filter tap with the outlet of the filter head labelled with an "OUT" arrow.

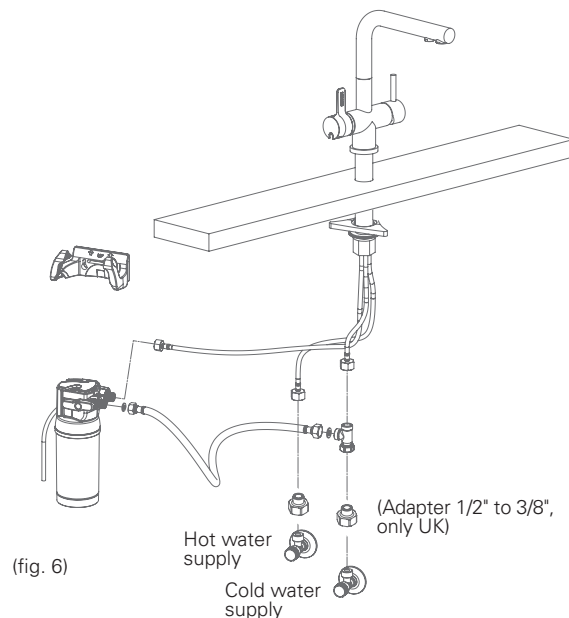
Make sure that the gaskets are seated correctly!

B) Separated hose delivered in the installation kit

- Take the hose with two connectors. Connect one end with the free side of the T-Piece.
- Connect the other end with to the filter head inlet. This is labelled "IN" (inlet) and marked with an arrow.

Make sure that the gaskets are seated correctly!

Make sure all connections are tightened properly. Avoid over tightening.

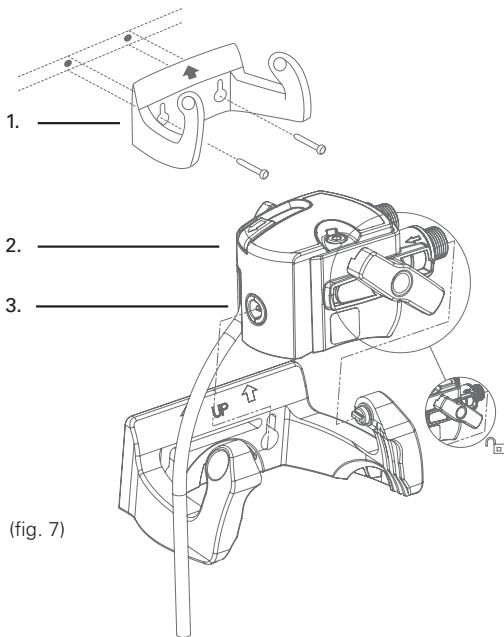


(fig. 6)

! The max. tightening torque for the G 3/8" connections may not exceed 14 Nm! Only hose connections with washers may be used – hoses with conical screw connections damage the connections of the filter head and invalidate any warranty claims.

Step 5 (optional): Space-saving wall mount to install the cartridge under the sink (see fig. 7)

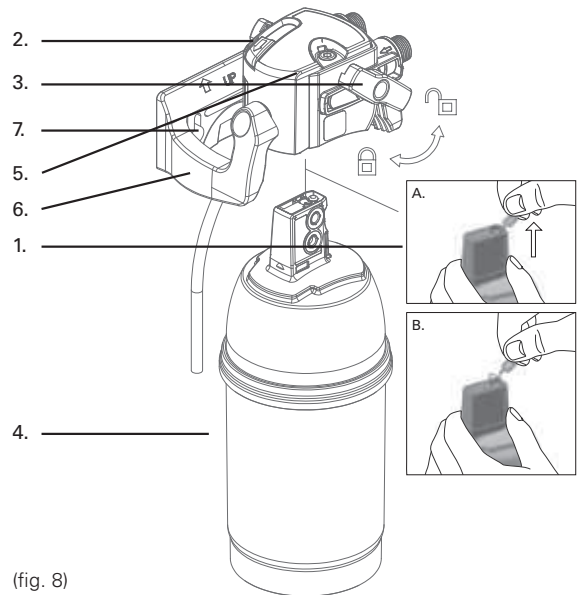
- A** Attach the space-saving wall mount bracket (1) in place using two matching screws and use two wall plugs (not supplied), depending on the type of wall. Position it in an accessible place to allow for 90° pivoting of the head for easy exchange of the filter. Recommended installation height is 420 mm, as you can easily switch later on between P1000 and P 3000 refill cartridge. Minimum height for A 1000 / P1000 is 270 mm. Make sure that the hoses are long enough to match the filterhead, when positioning the wall bracket.
- B** Engage the filter head (2) in the wall mount (1) using the notches (3) on the sides of the filter head to connect to the arms of the bracket.



(fig. 7)

Step 6: Inserting the filter cartridge (see fig. 8)

- A** Remove the red protective cap (1).
- B** Insert the filter cartridge (4) vertically into the filter head (5).
- C** Turn the locking handle (3) in the direction of the illustrated closed lock sign on the filter head, until it clicks.
- D** Engage the filter head (5) in the wall mount (6). Please use the fixation holes (7).



(fig. 8)

! The filter cartridge can only be inserted when the locking handle (3) is open. Make sure that the filter cartridge is positioned correctly and all O-Rings are correctly positioned.

! During assembly, note the installation dimensions, bending radii of the hoses and dimensions of the accessories. The system can be operated with the filter cartridge in either vertical or horizontal positions. Using the mounting bracket, it should be installed only vertically, with the "UP" arrow on the bracket correctly positioned.

Step 7: Commissioning

Before use, make sure that you have followed all the steps correctly and all the parts are fitted. Place a suitable container under the cartridge to catch any leakages.

- A Turn on the cold and hot water supplies and check the system carefully for any leaks.
- B Open the BRITA water filter tap and allow water to run until the filtered water runs clear and without any bubbles (at least 1 litre).

Replacing the filter cartridge

If the maximum volume is reached or the cartridge has been used for maximum time from commissioning, the BRITA Cartridge Status Indicator will flash red to remind you that the cartridge needs to be replaced. (The maximum cartridge lifetime is stated in the technical data overview, see page 10)

! Read the Operating and Safety Information (chapter 9) prior to exchange of filter.

NOTE The filter cartridge can be pivoted by 90° in the wall mount bracket for easy removal. When the locking handle is open, the water supply to the cartridge is interrupted, without the need to turn off the angle valve.

Replacing the filter cartridge (see fig. 8):

- A Open the locking handle (3).
- B To release the pressure in the system, first place a suitable container under the flush hose to catch any water, then open the flush valve (2). Close the flush valve (2) again.
- C Remove the exhausted filter cartridge (4) from the filter head (5).
- D Insert the new filter cartridge (see step 6, chapter 2)
- E Close the locking handle (3)
- F Reset the BRITA Cartridge Status Indicator (see step 2, chapter 2)
- G Open the BRITA branded lever on your BRITA tap and run through until the filtered water runs clear and without any bubbles (at least 1 litre).

Activating the BRITA Cartridge Status Indicator

- A Push the reset button (see fig. 4) of the BRITA Cartridge Status Indicator for three seconds until the LED-light flashing green.
- B The timer starts automatically.

Important Notes - Risk of damage!

Regularly check the filter system for leaks. Regularly check the hoses for kinks. Kinked hoses must be replaced.

! Prior to exchanging the filter system, read the Technical Data (chapter 6) and the **Operating and Safety Information** (chapter 7).

Regularly clean the outside of the filter system with a soft, damp cloth.

! Do not use any abrasive chemicals, cleaning solutions or astringent cleaning agents.

It is recommended to regularly clean the tap and the aerator as needed. Use a mild detergent and suitable microfiber cloth to clean the surface of the tap, especially as limescale from unfiltered water can build up around the aerator. The frequency of cleaning the aerator depends on the water hardness. To reliably remove dirt and limescale unscrew the tap end and remove the aerator.

Troubleshooting

A No water flow

Cause: Water intake closed.

Troubleshooting: Open the water intake at the upstream shut-off valve or by closing the locking handle (3) on the filter head (5).

B No or low water flow in spite of open water intake

Cause: Mains pressure too low.

Troubleshooting: Check mains pressure. If the fault continues, check the tap and filter cartridge and replace if necessary.

Cause: Filter head not mounted in direction of water flow.

Troubleshooting: Dismantle filter head and install in direction of water flow (see step 4, chapter 2).

C Leak

Cause: Screwed connections not fitted correctly.

Troubleshooting: Check mains pressure. Check all screwed connections in accordance with (see step 4, chapter 2).

D No LED indication by usage

Cause: Battery is not inserted in a correct way or is used up.

Troubleshooting: Check if battery is inserted properly. If necessary, replace the battery.
Check also that plastic tab has been removed.

6.1 Technical data of the filter cartridges

Filter cartridge operating pressure		P 1000 P 3000 A 1000	0.2 MPa to max. 0.86 MPa (2 bar to max. 8.6 bar)
Water intake Temperature		4°C to 30°C	
Ambient temperature for	operation	4°C to 40°C	
	storage/transport	-20°C to 50°C	
Operating position		Horizontal and vertical	
Water outlet connection		G3/8"	
Capacity from water hardness up to 10 °dH at setting "A"	P 1000	Up to 1200 L	
	P 3000	Up to 3400 L	
Capacity from water hardness 10 to 17 °dH at setting "B"	P 1000	Up to 600 L	
	P 3000	Up to 1700 L	
Capacity from water hardness 17 to 24 °dH at setting "C"	P 1000	Up to 400 L	
	P 3000	Up to 1100 L	
Capacity A 1000		Up to 4000 L / 6 months	
Pressure loss by nominal service flow	A 1000	0,2 bis 1,4 bar	
Weight (dry/wet)	P 1000	1 kg/1.6 kg	
	P 3000	1.8 kg/2.8 kg	
	A 1000	0.5 kg/1 kg	
Dimensions (Width/Depth/Height)	Filter system (filter head with filter cartridge)	P 1000	119/108/268 mm
		P 3000	117/104/419 mm
		A 1000	109/93/238 mm
	Filter cartridge	P 1000	108 mm/108 mm/259 mm
		P 3000	104 mm/104 mm/410 mm
		A 1000	88/88/231 mm
	Installed dimensions (vertical installation with wall mounting bracket)	P 1000	137/130/268 mm
		P 3000	137/128/419 mm
		A 1000	137/120/238 mm

Filter performance	A 1000	Independent laboratory test* reduction efficiency at least 97% of following substances, measured at 4000 L. Chlorine Bromoform, Bromodichloromethane, Tetrachlorethylene, Dibromchloromethane, Trichlorethylene
Particle retention NSF 42	A 1000	Class I (0.5 µm)
Chlorine reduction NSF 42	P 1000	Class I (50 %)
	P 3000	
	A 1000	Class I (50 %)
Chlorine reduction DIN EN 14898	P 1000	Class I (> 90%)
	P 3000	
	A 1000	Class 1 (> 90 %)

* Based on JIS S 3201 Test results (Japanese Industrial Standards)

6.2 Technical data of the 3-Way Water Filter Tap

Operating pressure	2 bar to max. 10 bar		
Cold water connection	4°C to 30°C		
Warm water connection	max. 60°C		
Flow rate filtered water	3.5 L/min		
Flow rate unfiltered water	7 L/min (rectangle tap) 8 L/min (round tap)		
Acoustics rating	Group II/-		
	Weight	Dimensions (Width/Depth/Height)	Aerator
3-Way Tap rectangle	2.3 kg	18,1 cm / 26,1 cm / 29,0 cm	M24x1 M18x1 (unfiltered)
3-Way Tap round	2.3 kg	18,1 cm / 22,7 cm / 40,0 cm	M24x1, 8 L/min



The system cannot be installed with a low pressure boiler as this might lead to water damages.

6.3 Flushing volume after stagnation

Flushing volume after 2–3 days stagnation	Flushing volume X
P 1000	2 Litres
P 3000	3 Litres
A 1000	1 Litre
Flushing volume after 4 weeks stagnation	Flushing volume Y
P 1000	20 Litres
P 3000	30 Litres
A 1000	10 Litres

VII. Important Notes

Operation and Safety

Protect the mypure water filter cartridge from direct sunlight and mechanical damage.

Do not assemble near sources of heat and open flames. A stop valve must be installed before the filter system intake hose. The BRITA 3-Way Filter Tap, is only suitable for domestic use. Only water of drinking water quality may be used as intake water for the BRITA water filter system.

The BRITA water filter cartridge is only suitable for cold water use within the supply water temperature stated in chapter 6. No microbiologically impaired water or water of unknown quality may be used without appropriate disinfection.

The system cannot be installed with a low pressure boiler.

Irrespective of the water used, you should use stainless steel utensils or kettles with stainless steel heating elements. This is of particular importance to people who are sensitive to nickel.

In the event of official water alert: filter first, and then boil

If there are official instructions to boil tap water, the filter system must be decommissioned. When the requirement to boil water comes to an end, the filter cartridge must be replaced and the connections cleaned.

Ultimate hygiene

- For hygiene reasons, the filter material of the P1000/P 3000 cartridge are subject to special treatment with silver. A very small amount of silver may be transferred to the water. This transference would be within the World Health Organisation (WHO) guidelines.
- It is generally recommended to boil tap water for certain groups of people (e.g. people with weak immune systems, babies). For such groups, this would also apply to filtered water.

Similar to the conventional taps, before using you should let water rinse through for a short period so you can enjoy your BRITA filtered water.

Optimum use

- BRITA recommends that the filter system is not left unused for a long period. If the BRITA 3-Way Tap is not used for several days (2–3 days), we recommend that the filter system be flushed with the flushing volume X indicated in the table on page 11. After stagnation periods of over 4 weeks, the filter should be flushed with flushing volume Y, see page 11. Please also note the maximum usage period of the filter cartridge is 12 months, irrespective of the actual volume used.
- BRITA filtered water is designed for human consumption. Use it within 1–2 days.
- The filter system must not be opened or dismantled during operation. The filter cartridge must not be opened.
- The filter system filter head is designed for a service life of 5 years counted from the date of installation.

Sensitive to potassium?

The filtering process can cause a small rise in the levels of potassium. However, one litre of BRITA filtered water contains less potassium than an apple, for example. If you have kidney disease and/or have to observe a special potassium diet, we recommend that you consult your doctor before using the water filter.

Natural traces

As the filter cartridge contains carbon, derived from natural charcoal, as with such natural matter, there may be variations and this can lead to a slight abrasion of small carbon particles into your filtered water, noticeable as black dust. These particles have no negative health effects. If ingested, they will not harm the human body. If you should see any carbon particles in the filtered water, BRITA recommends flushing out the A 1000 filter cartridge by running the filter tap until the particle deposits are washed out.

Exclusion of liability

BRITA shall not be held liable for any damage, including subsequent damage, arising from the incorrect use of the product.

100% satisfaction: the BRITA guarantee

We are confident that this BRITA product will meet your demands in terms of quality and performance. If this product does not meet your expectations, we will accept its return within 30 days of the date of purchase and reimburse the purchase price. Just send the product with your proof of purchase (receipt) and the reason for your dissatisfaction, your phone number and bank details to the customer service address for your country (on the back of this booklet).

BRITA recycling: for our environment

To work together in taking responsibility for our environment, you can return your P 1000 filter cartridges to a number of BRITA dealers.

More about BRITA: For details on recycling, please see www.brita.net.



Correct disposal of the BRITA Cartridge Status Indicator

Every BRITA Cartridge Status Indicator has a useful life of approx. 5 years. At the end of the useful life of the Status Indicator, remember that it must be disposed of according to the applicable regulations and statutory requirements.



The BRITA service hotline cares

Do you have any questions about your BRITA product?

Or on the subject of water filtration? Give us a call!

You can find the contact details for your BRITA customer service team next to your country code on the back of this booklet.

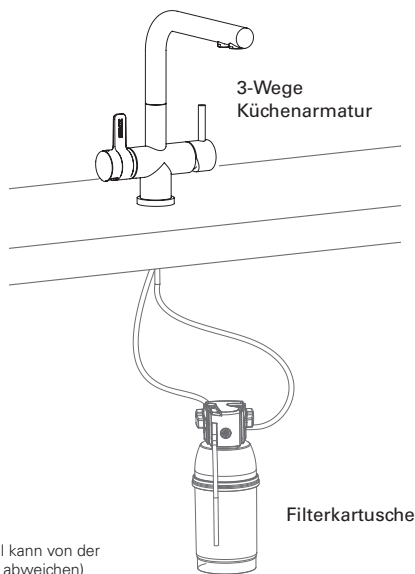
The best side of water: www.brita.net

Are you looking for your nearest BRITA retailer? Do you want more detailed information about BRITA products? Or about the BRITA company?

Want to make the most of one of BRITA's service offers? Up-to-date information, consumer tips, seasonal competitions, delicious coffee and tea recipes can be found around the clock at www.brita.net

Registering your product online

Register your product and get benefits at www.register.brita.net



(Ihr Modell kann von der Abbildung abweichen)

1 Vielen Dank

Vielen Dank, dass Sie sich für diese BRITA Küchenarmatur mit Filter entschieden haben. Um sicherzustellen, dass Sie alle Vorteile des wohlgeschmeckenden BRITA-gefilterten Wasser genießen können, befolgen Sie bitte genau die Anweisungen zu Installation, Betrieb und Wartung, bevor Sie mit dem Einbau beginnen.

2 Enthaltene Teile

Das mypure System zur Wasserfiltration besteht aus (s. Abb. 1, Seite 2):

1. Filterkopf mit den Einstellungen „A“, „B“, „C“ und „O“ einschließlich bequemem Verriegelungsgriff
2. Flexible Wandhalterung für den Filterkopf
3. Wasserfilter-Kartusche
4. 3-Wege Küchenarmatur (Modell kann von Abbildung abweichen)
5. Kartuschenstatusanzeige
6. Batterie (CR 2032)

7. Schlauch zum Filtersystem
8. Bedienungsanleitung
9. Wasserhärte-Teststreifen
10. T-Stück
11. 2 Adapter 1/2 Zoll Innengewinde zu 3/8 Zoll Außengewinde (nur in UK)

Empfohlenes Werkzeug für den Einbau: ein Inbusschlüssel (4 mm), ein verstellbarer Zangenschlüssel oder ein 19 mm Maulschlüssel, ein Schraubenzieher, optional: Dichtband (bei Verwendung von Druckbegrenzungsventilen), 26 mm Maulschlüssel bei Verwendung von 1/2 Zoll Adapter (nur in UK).

Zur Wandmontage der Kartusche (optional) benötigen Sie: zwei Schrauben (z. B. 5 mm groß) und zwei Dübel (bei Bedarf).

Bei Untertischmontage bitte passende Schrauben und Dübel für die vorhandene Wand verwenden.

3 Gewährleistung

Für das mypure Filtersystem gilt die gesetzliche Garantie von 2 Jahren. Ein Gewährleistungsanspruch kann nur geltend gemacht werden, wenn alle Anweisungen in dieser Anleitung befolgt werden.

Die Garantie verfällt, wenn eine falsche Installation die Fehlfunktion verursacht hat. Die Installation muss entsprechend den Anweisungen und den geltenden Vorschriften für Installateure durchgeführt werden.

Legen Sie sich vor Beginn der Arbeiten die oben genannten Teile (s. Abb. 1, S. 2) und das empfohlene Werkzeug zurecht.

Die Installation besteht aus 7 Schritten.



Der Einbau des Filtersystems muss den jeweiligen landesweiten und örtlich geltenden Vorschriften und Normen für Sanitärinstallationen entsprechen.



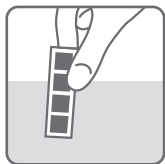
Lesen Sie vor der Installation bitte die technischen Daten (Kapitel 6) und Informationen zu Betrieb und Sicherheit. (Wurde das Produkt bei unter 0 °C gelagert oder transportiert, muss es vor Inbetriebnahme für mindestens 24 Stunden in der geöffneten Originalverpackung bei den angegebenen Umgebungstemperaturen gelagert werden (siehe Kapitel 6.1).) Das System ist nicht für die Installation an einem Niederdruckboiler vorgesehen.

II. Einfache Installation in 7 Schritten

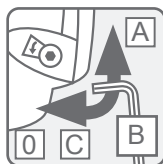
Schritt 1: Einstellen der Karbonathärte (A/B/C) am Filterkopf

Die Werkseinstellung des Filterkopfes ist „B“:

Bei mitgelieferter A 1000 Filterkartusche, stellen Sie die Härte im Fenster auf „0“. Drehen Sie die Sechskantmutter mit einem 4 mm Inbusschlüssel (Sechskantschlüssel) in Richtung des Pfeils im Fenster, bis „0“ erscheint. Siehe Abb. 2)



(Abb. 2)



(Abb. 3)

Bei mitgelieferter P 1000 Filterkartusche, Einstellen der Karbonathärte (A/B/C)

Der Filterkopf bietet drei Einstellungen für mittelhartes Wasser (A), hartes Wasser (B) und sehr hartes Wasser (C). Beachten Sie bitte die folgenden Anweisungen, um die richtige Einstellung für Ihr Wasser vor Ort zu finden. Testen Sie zunächst die Karbonathärte mit dem mitgelieferten Teststreifen.

Anwendung des Teststreifens:

- Alle Testfelder des Teststreifens 1 Sekunde lang in ein Glas mit 15–30 °C warmem Leitungswasser eintauchen (Abb. 2, nicht unter laufendes Wasser halten!).
- Überschüssiges Wasser vom Teststreifen abschütteln und nach 1 Minute feststellen, wie viele Testfelder die Farbe geändert haben.

Abhängig von der Anzahl der verfärbten Testfelder wird die folgende Filterkopfeinstellung empfohlen:

Einstellung	A	B	C
Anzahl der Reaktionsfelder, die ihre Farbe verändert haben	■ □ □ □ □ ■ ■ □ □ □	■ ■ ■ ■ □	■ ■ ■ ■ ■

Ändern Sie die Wasserhärteeinstellung Ihres Wassers. Drehen Sie in Pfeilrichtung, bis „C“ im Fenster erscheint. Drehen Sie gegen die Pfeilrichtung, bis „A“ im Fenster erscheint.

Der Filterkopf enthält einen eingebauten Durchflussregler. Er garantiert gleichmäßigen Wasserdurchfluss auch bei hohem Wasserdruck.

Schritt 2: Einschalten der BRITA-Kartuschenstatusanzeige

Die BRITA-Kartuschenstatusanzeige erinnert Sie durch drei verschiedenfarbige Blinklichter, wann die Filterkartusche auszuwechseln ist.

A Inbetriebnahme:

Entfernen Sie den Kunststoffstreifen von der Batterie (Abb. 4). Alle LEDs sollten kurz aufleuchten. Schließen Sie das Fach. Halten Sie den Reset-Knopf für drei Sekunden gedrückt, bis ein kleines grünes Licht oben dreimal aufleuchtet (Abb. 4).

B Erste Programmierung der BRITA-Kartuschenstatusanzeige:

Die BRITA-Kartuschenstatusanzeige wird abhängig von der Einstellung des Filterkopfes (Schritt 1) wie folgt programmiert (s. Abb. 4):

- Drücken Sie den Knopf (CARTRIDGE) auf der linken Seite um einzustellen, welche Kartusche Sie verwenden. Wenn Sie den Knopf einmal drücken, leuchten zwei gelbe LEDs auf (Werkseinstellung für Kartuschen P1000): Drücken Sie den Knopf, bis Sie die richtige Filterkartusche gefunden haben:

Filterkartusche A 1000: Knopf drücken, bis eine gelbe LED aufleuchtet.

Filterkartusche P 1000: Knopf drücken, bis zwei gelbe LEDs aufleuchten.

Filterkartusche P 3000: Knopf drücken, bis drei gelbe LEDs aufleuchten (s. Tabelle unten).

- Drücken Sie den Knopf (HARDNESS) auf der rechten Seite zur Auswahl der Wasserhärte. Wenn Sie den Knopf einmal drücken, leuchten zwei gelbe LEDs auf (Werkseinstellung für Wasserhärte: B Drücken Sie den Knopf erneut, bis Sie die korrekte Wasserhärte gefunden haben:

Wasserhärte C: Knopf drücken, bis eine gelbe LED aufleuchtet.

Wasserhärte B: Knopf drücken, bis zwei gelbe LEDs aufleuchten.

Wasserhärte A: Knopf drücken, bis drei gelbe LEDs aufleuchten.

Wenn Sie das System mit einer A1000-Kartusche verwenden, brauchen Sie die Wasserhärte nicht einzustellen. Dies hat keinen Einfluss auf die Lebensdauer der Kartusche.

- Drücken Sie zum Ändern der Einstellung einfach den Knopf, bis die vorgeschriebene Anzahl von LEDs aufleuchtet.
- Stecken Sie die BRITA-Kartuschenstatusanzeige in den Hebel mit dem BRITA-Logo (s. Abb. 5).

C Funktionsweise der BRITA-Kartuschenstatusanzeige

Um eine optimale Leistung zu gewährleisten, sollte die Filterkartusche regelmäßig ausgewechselt werden. Die BRITA-Kartuschenstatusanzeige im BRITA-Hebel zeigt an, wann die Filterkartusche gewechselt werden muss.

D Signale

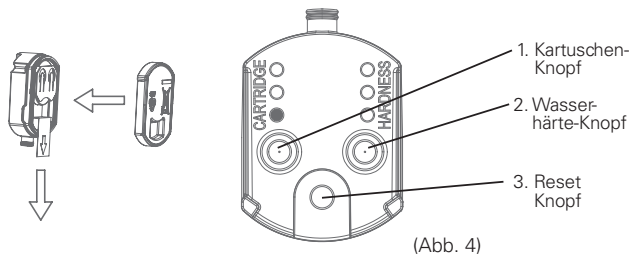
Die drei Leuchten im BRITA-Hebel werden nur in der Filterposition aktiviert. Die Leuchten bedeuten:

- Grünes Licht: Der BRITA-Filter funktioniert optimal.
- Gelbes Licht: 90 % der Filterkapazität wurden bereits verbraucht. Denken Sie daran, eine neue Filterkartusche zu kaufen.
- Rotes Licht: Die Filterkartusche ist erschöpft und muss ausgetauscht werden.

Technische Daten:

- Batterie: 1x CR2032 (herausnehmbar)
- Lebensdauer der Batterie: ca. 2 Jahre

! Die Kartuschenstatusanzeige nicht in Wasser eintauchen.



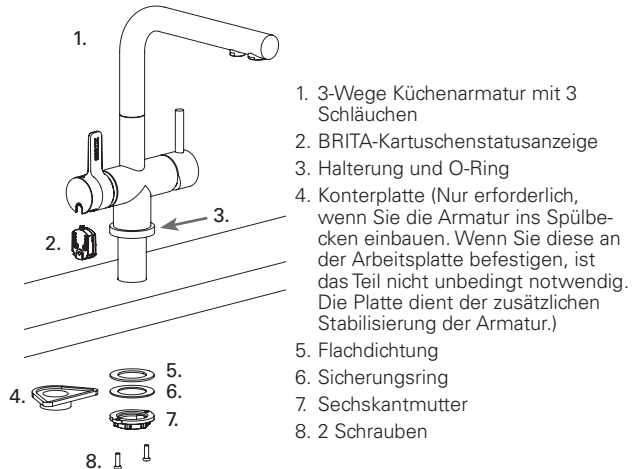
(Abb. 4)

	1 LED	2 LEDs	3 LEDs
Wasserhärte-Einstellungen	C	B	A
Kartuscheneinstellung	A 1000	P 1000	P 3000

Schritt 3: Installation der 3-Wege Küchenarmatur

Bevor Sie mit der Installation der 3-Wege Küchenarmatur beginnen, überprüfen Sie bitte, ob Sie alle benötigten Teile parat haben.

! Sorgen Sie zunächst dafür, dass Sie ausreichend Platz und Zugang für die Installation des Filterkopfes und der Kartusche und zum Anschluss aller Schläuche unter der Spüle haben.



(Abb. 5) (Ihr Modell kann von der Abbildung abweichen)

Bauen Sie zunächst die vorhandene Armatur aus.

- Unterbrechen Sie die Kalt- und Warmwasserzufuhr.
- Achten Sie bitte darauf, dass Sie die Hebel öffnen und jeglichen Druck ablassen.

! Es darf sich kein Wasser mehr im vorhandenen Wasserhahn befinden.

- Die vorhandenen Schläuche von den Kalt- und Warmwasserleitungen abschrauben.



Wir empfehlen, zum Auffangen des Restwassers in den Schläuchen beim Ausbau, einen geeigneten Behälter unter die Wasserzuleitungen zu stellen.

- d) Schrauben Sie den vorhandenen Wasserhahn ab. Es gibt keine Standardmontage, aber in der Regel eignet sich eine Rohrzange zum Ausbau.
- e) Ziehen Sie sowohl den Wasserhahn als auch die Schläuche heraus.



Achten Sie darauf, dass sich ein geeigneter Auffangbehälter unter der Wasserzufuhr befindet. Öffnen Sie die Wasserzufuhr und spülen Sie die Leitungen gründlich, bevor Sie die neue Armatur installieren. Vorsicht beim Heißwasseranschluss.

- f) Führen Sie die Armatur durch die 35 mm Aussparung. Achten Sie darauf, dass Sie die Teile in der richtigen Reihenfolge installieren. Überprüfen Sie den Sitz der Armatur und befestigen Sie ihn mit der Gewindemutter und den 2 zusätzlichen Schrauben (Abb. 5, Nr. 7+8).

Schritt 4: Installation des Filtersystems

Folgen Sie bitte dem nachstehenden Diagramm (s. Abb. 6) und führen Sie die Arbeiten in der angegebenen Reihenfolge aus.



Wenn eine zusätzliche 3/8" Wasserzuleitung für die Armatur in der Küche vorhanden ist, brauchen Sie das mitgelieferte T-Stück nicht zu installieren.
Nur UK: Sollten Sie einen 1/2" Wasseranschluss haben, nutzen Sie zur Installation die beiliegenden 1/2" Adapter.

Verbinden des T-Stücks

Verbinden Sie das mitgelieferte T-Stück mit dem Kaltwasser-Eckventil. Achten Sie bitte darauf, dass die integrierte Dichtung richtig sitzt.

Anbringen der Schläuche

Alle Schläuche besitzen eine integrierte Dichtung. Prüfen Sie bitte, ob alle Dichtungen vorhanden sind und dass die integrierten Dichtungen richtig sitzen.

A) 3 Schläuche von der Armatur

- Verbinden Sie den Schlauch mit dem roten Streifen mit der Warmwasserzuleitung.
- Verbinden Sie den Schlauch mit dem blauen Streifen mit der oberen Seite des T-Stücks.
- Verbinden Sie den an die Armatur angeschlossenen grauen Schlauch mit 1000 mm Länge mit dem Filterkopfausgang, der mit einem „OUT“-Pfeil gekennzeichnet ist.

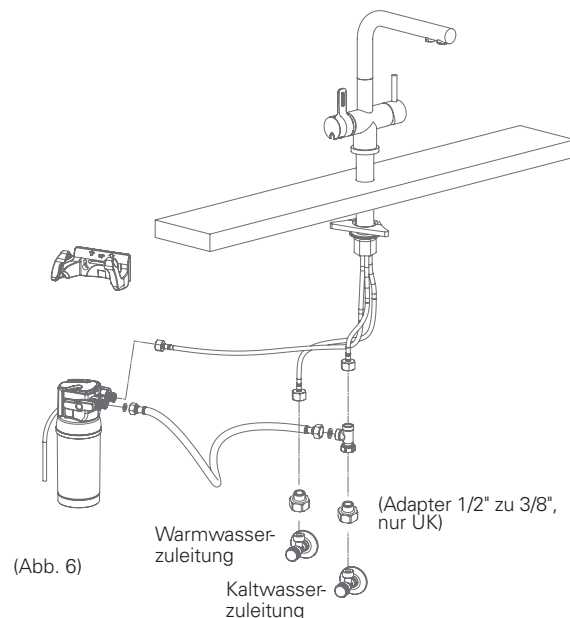
Prüfen Sie auch hier, ob die Dichtungen richtig sitzen!

B) Getrennter Schlauch aus dem Installationsset

- Nehmen Sie den Schlauch mit den zwei Anschlüssen zur Hand. Verbinden Sie ein Ende mit dem freien Anschluss des T-Stücks.
- Verbinden Sie das andere Ende mit dem Filterkopfeingang. Dieser ist durch „IN“ (Inlet) und einen Pfeil gekennzeichnet.

Achten Sie bitte darauf, dass die Dichtungen richtig sitzen!

Prüfen Sie, ob die Verbindungen fest angezogen sind. Vermeiden Sie jedoch ein Überdrehen.



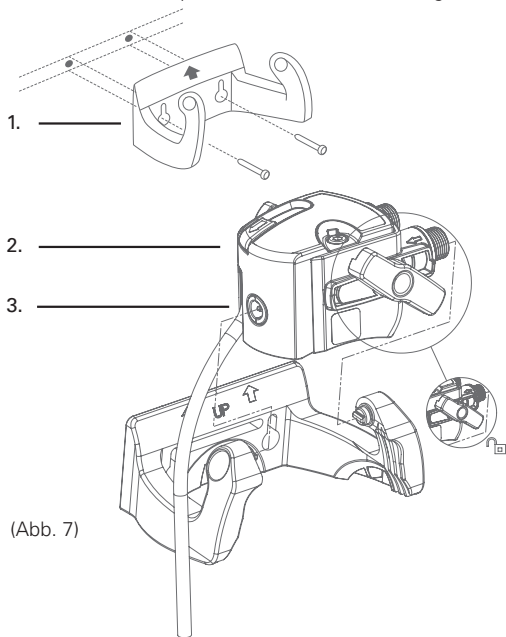
(Abb. 6)



Das maximale Anzugsdrehmoment an G 3/8-Zoll-Anschlüssen darf 14 Nm nicht überschreiten! Es dürfen nur Schlauchanschlüsse mit Dichtungsringen verwendet werden. Schläuche mit konisch dichtender Schlauchverschraubung beschädigen den Filterkopfanschluss und machen alle Gewährleistungsansprüche nichtig.

Schritt 5 (optional): Platzsparende Wandhalterung für die Kartuschenmontage unter der Spüle (s. Abb. 7)

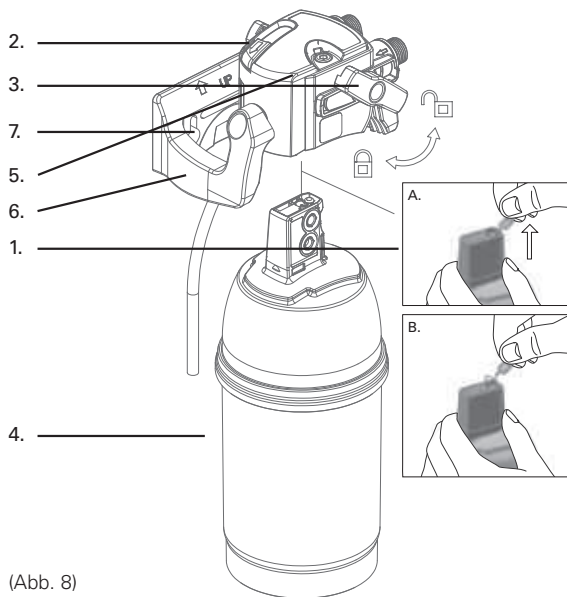
- A Bringen Sie die platzsparende Wandhalterung (1) mithilfe von zwei passenden Schrauben an (nicht inbegriffen). Verwenden Sie Dübel je nach Wandtyp. Wählen Sie eine zugängliche Stelle aus, die ein Schwenken des Kopfes um 90 ° zum einfachen Filterwechsel erlaubt. Die empfohlene Montagehöhe ist 420 mm, damit Sie später P1000 oder P 3000 Nachfüllkartuschen verwenden können. Die Mindesthöhe für A 1000/P1000 ist 270 mm. Achten Sie beim Einbau der Wandhalterung darauf, dass die Schläuche lang genug für den Filterkopf sind.
- B Rasten Sie den Filterkopf (2) mithilfe der Einrastmulden (3) auf beiden Seiten des Filterkopfes in die Wandhalterung (1) ein, sodass der Filterkopf fest mit der Wandhalterung verbunden ist.



(Abb. 7)

Schritt 6: Einsetzen der Filterkartusche (s. Abb. 8)

- A Entfernen Sie die rote Schutzlasche (1).
- B Setzen Sie die Filterkartusche (4) senkrecht in den Filterkopf ein (5).
- C Drehen Sie den Verriegelungsgriff in Richtung des entsprechenden Schloss-Symbol, bis er einrastet (3), bis er einrastet.
- D Rasten Sie den Filterkopf (5) in die Wandhalterung (6) ein. Verwenden Sie bitte die Befestigungslöcher (7).



(Abb. 8)

! Die Filterkartusche kann nur bei geöffnetem Verriegelungsgriff (3) eingesetzt werden. Bitte achten Sie auf die richtige Positionierung der Filterkartusche und O-Ringe.

! Beachten Sie bei der Montage die Einbaumaße, die Biegeradien der Schläuche und die Maße des Zubehörs. Das System kann mit vertikal oder horizontal eingesetzter Filterkartusche betrieben werden. Bei Verwendung einer Wandhalterung darf sie jedoch nur senkrecht eingesetzt werden und der „UP“-Pfeil an der Wandhalterung muss nach oben zeigen.

Schritt 7: Inbetriebnahme

Prüfen Sie vor Gebrauch, ob Sie alle Schritte korrekt befolgt und alle Teile vorschriftsgemäß angebracht haben. Stellen Sie einen geeigneten Auffangbehälter für auslaufendes Wasser unter die Kartusche.

- A Öffnen Sie die Ventile für die Kalt- und Warmwasserzufuhr und überprüfen Sie das System vorsichtig auf Dichtheit.
- B Drehen Sie die Armatur auf und lassen Sie das Wasser laufen, bis das gefilterte Wasser klar und blasenfrei ist (mindestens 1 Liter).

Wechsel der Filterkartusche

Sobald das Höchstvolumen erreicht ist oder die Kartusche für die maximale Zeit im Betrieb war, erinnert Sie ein rotes Blinklicht an der BRITA-Kartuschenstatusanzeige daran, die Kartusche auszutauschen. (Die maximale Lebensdauer der Kartusche entnehmen Sie bitte den technischen Daten auf Seite 22)

! Lesen Sie vor dem Filterwechsel bitte die Informationen zu Betrieb und Sicherheit (Kapitel 9).

HINWEIS Die Filterkartusche lässt sich zur einfachen Entnahme in der Wandhalterung um 90° schwenken. Bei geöffnetem Verriegelungsgriff ist die Wasserzufuhr zur Kartusche unterbrochen, sodass Sie das Eckventil nicht zudrehen müssen.

Wechsel der Filterkartusche (s. Abb. 8):

- A Öffnen Sie den Verriegelungsgriff (3).
- B Um den Druck im System abzulassen, stellen Sie zunächst einen geeigneten Auffangbehälter unter den Spülschlauch und öffnen Sie dann das Spülventil (2). Schließen Sie das Spülventil (2) wieder.
- C Nehmen Sie die alte Filterkartusche (4) aus dem Filterkopf (5).
- D Setzen Sie die neue Filterkartusche ein (s. Schritt 6, Kapitel 2)
- E Schließen Sie den Verriegelungsgriff (3)
- F Setzen Sie die BRITA-Kartuschenstatusanzeige zurück (s. Schritt 2, Kapitel 2)
- G Öffnen Sie den Hebel mit dem BRITA-Logo an Ihrer Armatur und lassen Sie das Wasser laufen, bis das gefilterte Wasser klar und blasenfrei ist (mindestens 1 Liter).

Aktivierung der BRITA-Kartuschenstatusanzeige

- A Drücken Sie den Reset-Knopf (s. Abb. 4) der BRITA-Kartuschenstatusanzeige drei Sekunden lang, bis ein grünes Blinklicht aufleuchtet.
- B Der Zeitmesser startet automatisch.

Wichtige Hinweise – Beschädigungsgefahr!

Das Filtersystem regelmäßig auf Dichtigkeit prüfen. Die Schläuche regelmäßig auf Knickstellen prüfen. Schläuche mit Knickstellen sind zu ersetzen.

! Lesen Sie vor Austausch des Filtersystems die technischen Daten (Kapitel 6) und die Informationen zu Betrieb und Sicherheit (Kapitel 7).

Die Außenseite des Filtersystems regelmäßig mit einem weichen, angefeuchteten Tuch abreiben.

! Verwenden Sie keine aggressiven Chemikalien, Reinigungsmittellösungen oder ätzenden Reiniger.

Eine regelmäßige Reinigung von Armatur und Strahlregler nach Bedarf wird empfohlen. Verwenden Sie zur Reinigung der Armaturenoberfläche ein mildes Reinigungsmittel und ein geeignetes Mikrofasertuch. Insbesondere durch die Entnahme von ungefiltertem Wasser kann es zu Kalkablagerung um den Strahlregler kommen. Wie häufig der Strahlregler zu reinigen ist, hängt von der Wasserhärte ab. Um den Strahlregler von Schmutz und Kalk zu befreien, schrauben Sie die Überwurfmutter ab und entfernen Sie den Strahlregler.

Fehlerbehebung

A Kein Wasserdurchfluss

Ursache: Wasserzulauf geschlossen.
 Fehlerbehebung: Öffnen Sie den Wasserzulauf am Absperrventil oder schließen Sie den Verriegelungsgriff (3) am Filterkopf (5).

B Kein oder nur geringer Wasserdurchfluss, obwohl der Wasserzulauf offen ist

Ursache: Wasserdruck zu niedrig.
 Fehlerbehebung: Überprüfen Sie den Netzdruck. Falls das Problem weiterhin besteht, überprüfen Sie das Filtersystem und die Filterkartusche und ersetzen Sie diese bei Bedarf.
 Ursache: Der Filterkopf wurde nicht in Richtung des Wasserflusses montiert.
 Fehlerbehebung: Bauen Sie den Filterkopf aus und bauen Sie ihn in Richtung des Wasserflusses ein (s. Schritt 4, Kapitel 2).

C Leckage

Ursache: Unfachmännische Schraubverbindung.
 Fehlerbehebung: Überprüfen Sie den Netzdruck. Überprüfen Sie alle Schraubverbindungen (gemäß Schritt 4, Kapitel 2).

D LEDs leuchten bei Gebrauch nicht

Ursache: Die Batterie wurde nicht richtig eingelegt oder ist leer.
 Fehlerbehebung: Überprüfen Sie, ob die Batterie richtig eingelegt ist. Ersetzen Sie die Batterie bei Bedarf.
 Prüfen Sie auch, ob der Batteriestreifen entfernt wurde.

6.1 Technische Daten der Filterkartuschen

Betriebsdruck der Filterkartusche		P 1000 P 3000 A 1000	2 bar bis max. 8,6 bar
Wasservorlauftemperatur		4°C bis 30°C	
Umgebungs-temperatur für	Betrieb	4°C bis 40°C	
	Lagerung/Transport	-20°C bis 50°C	
Betriebslage		Horizontal oder vertical	
Anschluss Wasserausgang		G3/8"	
Kapazität von Karbonathärte bis zu 10 °dH bei Einstellung „A“	P 1000	Bis zu 1200 l	
	P 3000	Bis zu 3400 l	
Kapazität von Karbonathärte 10 bis 17 °dH bei Einstellung „B“	P 1000	Bis zu 600 l	
	P 3000	Bis zu 1700 l	
Kapazität von Karbonathärte 17 bis 24 °dH bei Einstellung „C“	P 1000	Bis zu 400 l	
	P 3000	Bis zu 1100 l	
Kapazität A 1000		Bis zu 4000 L / 6 Monate	
Druckverlust bei Nenndurchfluss		A 1000	0,2 bis 1,4 bar
Gewicht (trocken/nass)	P 1000	1 kg/1,6 kg	
	P 3000	1,8 kg/2,8 kg	
	A 1000	0,5 kg/1 kg	
Maße (Breite/Tiefe/Höhe)	Filter-system (Filterkopf mit Filterkartusche)	P 1000	119/108/268 mm
		P 3000	117/104/419 mm
		A 1000	109/93/238 mm
	Filterkartusche	P 1000	108 mm/108 mm/259 mm
		P 3000	104 mm/104 mm/410 mm
		A 1000	88/88/231 mm
	Abmessungen nach Installation (vertikale Montage mit Wandhalterung)	P 1000	137/130/268 mm
		P 3000	137/128/419 mm
		A 1000	137/120/238 mm

Filter Leistung	A 1000	Untersuchungen eines unabhängigen Testlabors* haben eine Filtereffizienz von mindestens 97 % der folgenden Stoffe je 4000 L ergeben: Chlorbromoform, Bromdichlormethan, Tetrachlorethylen, Dibromchlormethan, Trichlorethylen
Partikelrückhaltevermögen NSF 42	A 1000	Klasse I (0,5 µm)
Chlorreduktion NSF 42	P 1000	Klasse I (50 %)
	P 3000	
	A 1000	Klasse I (50 %)
Chlorreduktion DIN EN 14898	P 1000	Klasse I (> 90%)
	P 3000	
	A 1000	Klasse 1 (> 90%)

*Aufgrund von Testergebnissen nach der Norm JIS S 3201 (Japanese Industrial Standards)



Das System ist nicht für die Installation an einem Niederdruckboiler vorgesehen. Dies kann zu Wasserschäden führen.

6.3 Spülvolumen nach Stillstand

Spülvolumen nach 2–3 Tagen Stillstand	Spülvolumen X
P 1000	2 Liter
P 3000	3 Liter
A 1000	1 Liter
Spülvolumen nach 4 Wochen Stillstand	Spülvolumen Y
P 1000	20 Liter
P 3000	30 Liter
A 1000	10 Liter

6.2 Technische Daten der 3-Wege Küchenarmatur

Betriebsdruck	2 bar bis max. 10 bar		
Kaltwasseranschluss	4°C bis 30°C		
Warmwasseranschluss	max. 60°C		
Durchflussrate gefiltertes Wasser	3,5 l/min		
Durchflussrate ungefiltertes Wasser	7 l/min (Armatur Modell eckig) 8 l/min (Armatur Modell rund)		
Geräuschpegel	Gruppe II/-		
	Gewicht	Maße (Breite/Tiefe/Höhe)	Perlator
Armatur Modell eckig	2,3 kg	18,1 cm / 26,1 cm / 29,0 cm	M24x1 M18x1 (ungefiltert)
Armatur Modell rund	2,3 kg	18,1 cm / 22,7 cm / 40,0 cm	M24x1, 8 l/min

Betrieb und Sicherheit

Die mypure Wasserfilter-Kartusche vor Sonneneinstrahlung und mechanischer Beschädigung schützen.

Nicht in der Nähe von Wärmequellen und offenem Feuer installieren. Vor dem Eingangsschlauch des Filtersystems ist ein Absperrventil zu montieren. Die 3-Wege Küchenarmatur mit Filter ist nur für den Hausgebrauch bestimmt. Es darf ausschließlich Wasser in Trinkwasserqualität als Zulauf für das BRITA-Wasserfiltersystem verwendet werden.

Die BRITA-Wasserfilter-Kartusche ist nur für den Kaltwassergebrauch innerhalb des in Kapitel 6 angegebenen Wasserzulauf-temperaturbereichs geeignet. Ohne geeignete Desinfektion darf weder mikrobiologisch beeinträchtigtes Wasser noch Wasser von unbekannter Qualität verwendet werden.

Das System ist nicht für die Installation an einem Niederdruckboiler vorgesehen.

Unabhängig vom verwendeten Wasser sollten Sie Geräte aus Edelstahl oder Wasserkocher mit Heizelementen aus Edelstahl verwenden. Dies ist vor allem für Personen mit einer Überempfindlichkeit gegen Nickel wichtig.

Bei Trinkwasseralarm: erst filtern, dann kochen

Wird die Öffentlichkeit aufgefordert, Leitungswasser abzukochen, ist das Filtersystem außer Betrieb zu nehmen. Wenn es nicht mehr erforderlich ist, das Wasser abzukochen, müssen die Filterkartusche ausgetauscht und die Anschlussleitungen gereinigt werden.

Hygiene ist wichtig

- Aus hygienischen Gründen wird das Filtermaterial der P 1000/P 3000 Kartusche einer speziellen Silberbehandlung unterzogen. Eine geringe Menge Silber kann an das Wasser abgegeben werden. Diese steht im Einklang mit den Empfehlungen der Weltgesundheitsorganisation (WHO).
- Für bestimmte Personengruppen (z. B. Personen mit geschwächtem Immunsystem, Babys) wird generell empfohlen, das Leitungswasser abzukochen. Für diese Gruppen trifft das auch auf gefiltertes Wasser zu.

Wie beim herkömmlichen Wasserhahn sollten Sie das Wasser kurz laufen lassen, bevor Sie Ihr BRITA-gefiltertes Wasser genießen.

Optimale Verwendung

- BRITA empfiehlt, das Filtersystem nicht über länger Zeit unbe-nutzt zu lassen. Verwenden Sie Ihre Armatur mehrere Tage nicht (2–3 Tage), empfehlen wir, das Filtersystem mit dem in der Tabelle auf Seite 23 angegebenen Spülvolumen zu spülen. Nach mehr als 4 Wochen Stillstand ist der Filter mit dem Spülvolumen Y zu spülen (s. Seite 23). Beachten Sie bitte auch, dass die maximale Einsatzdauer einer Filterkartusche 12 Monate beträgt, unabhängig vom verbrauchten Volumen.
- BRITA-gefiltertes Wasser ist für den menschlichen Gebrauch bestimmt. Verwenden Sie es innerhalb von 1–2 Tagen.
- Das Filtersystem darf während des Betriebs nicht geöffnet oder demontiert werden. Die Filterkartusche darf nicht geöffnet werden.
- Der Filterkopf des Filtersystems ist auf eine Lebensdauer von 5 Jahren ab Installationsdatum ausgelegt.

Kaliumempfindlich?

Der Filterprozess kann zu einem geringen Anstieg des Kaliumgehalts des Wassers führen. Allerdings enthält ein Liter BRITA-gefiltertes Wasser z. B. weniger Kalium als ein Apfel. Wenn Sie an einer Nierenerkrankung leiden und/oder eine spezielle Kaliumdiät einhalten müssen, sprechen Sie die Verwendung eines Wasserfilters bitte zuvor mit Ihrem Arzt ab.

Natürliche Spuren

Da die Filterkartuschen aus Holzkohle gewonnene Aktivkohle enthalten, kann es – wie bei natürlichen Stoffen üblich – Schwankungen und damit einen leichten Abrieb von kleinen Kohlepartikeln ins gefilterte Wasser geben, der als schwarzer Staub sichtbar ist. Diese Partikel beeinträchtigen nicht Ihre Gesundheit. Werden sie verschluckt, hat das keine negativen Auswirkungen auf den menschlichen Körper. Wenn Sie Kohlepartikel im gefilterten Wasser entdecken, empfiehlt BRITA, so lange Wasser durch die A 1000 Filterkartusche laufen zu lassen, bis die Partikel herausgewaschen sind.

Haftungsausschluss

Bitte haben Sie Verständnis, dass BRITA keinerlei Haftung bei Missachtung der Gebrauchsanweisung übernehmen kann. BRITA ist nicht verantwortlich für Schäden, einschließlich Folgeschäden, die durch die fehlerhafte Verwendung des Produkts entstehen.

100 % Zufriedenheit: die BRITA Zufriedenheitsgarantie

Wir sind überzeugt, dass Sie mit der Qualität und Leistung dieses BRITA-Produkts zufrieden sein werden. Sollte dieses Produkt Ihre Erwartungen nicht erfüllen, können Sie es innerhalb von 30 Tagen ab Kaufdatum zurückgeben und Sie erhalten den Kaufpreis zurück. Senden Sie das Produkt mit Kaufbeleg (Quittung) an den für Sie zuständigen Kundenservice (Adresse s. Rückseite der Anleitung), und geben Sie einen Rückgabegrund, Ihre Telefonnummer und Ihre Bankdaten an.

BRITA Recycling: für unsere Umwelt

Aus gemeinsamer Verantwortung für unsere Umwelt besteht die Möglichkeit, die gebrauchten P 1000 Filterkartuschen bei zahlreichen BRITA-Händlern zurückzugeben. Mehr über BRITA: Weitere Einzelheiten zum Recycling finden Sie unter www.brita.net.



Fachgerechte Entsorgung der BRITA-Kartuschenstatusanzeige

BRITA-Kartuschenstatusanzeigen haben eine Nutzungsdauer von ca. 5 Jahren. Denken Sie am Ende der Nutzungsdauer der Statusanzeige daran, dass diese entsprechend den hierfür geltenden Vorschriften und gesetzlichen Bestimmungen zu entsorgen ist.



Die BRITA Service-Hotline ist für Sie da

Haben Sie Fragen zu Ihrem BRITA-Produkt?

Oder zum Thema Wasserfiltration? Rufen Sie uns an!

Sie finden die Kontaktinformationen für Ihre BRITA-Kundenbetreuung neben Ihrem Landeskennzeichen auf der Rückseite dieser Anleitung.

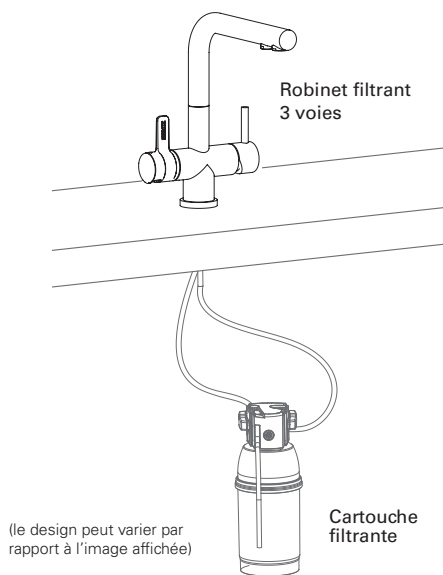
Die beste Seite des Wassers: www.brita.net

Sind Sie auf der Suche nach einem BRITA-Händler in Ihrer Nähe? Wollen Sie weitere Informationen über BRITA-Produkte erhalten? Oder über das Unternehmen BRITA?

Wollen Sie die Serviceangebote von BRITA optimal nutzen? Aktuelle Informationen, Verbrauchertipps, saisonale Gewinnspiele, leckere Kaffee- und Teerezepte gibt's rund um die Uhr unter www.brita.net

Online-Registrierung Ihres BRITA-Produkts

Registrieren Sie Ihr Produkt und sichern Sie sich Vorteile unter www.register.brita.net.



1 Merci

Merci d'avoir choisi la qualité BRITA qui vous garantit une eau de qualité, directement depuis votre robinet filtrant 3 voies. Pour obtenir les meilleurs résultats avec votre nouveau robinet filtrant 3 voies, veuillez lire attentivement le mode d'emploi avant de procéder à l'installation.

2 Pièces incluses

Votre système de filtration mypure est fourni avec les éléments suivants (voir fig. 1, page 2) :

1. Tête de filtre avec les réglages « A », « B », « C » et « O », comprenant une poignée de verrouillage pratique
2. Support de fixation murale flexible pour la tête de filtre
3. Cartouche filtrante
4. Robinet filtrant 3 voies (le design peut varier par rapport à l'image affichée)
5. Indicateur de changement de la cartouche filtrante
6. Pile (CR 2032)

7. Flexible pour le système de filtration
8. Mode d'emploi
9. Bandelette pour test de dureté de l'eau
10. Pièce en T
11. 2 adaptateurs filetage femelle 1/2" vers filetage mâle 3/8" (uniquement pour le Royaume-Uni)

Outils recommandés pour l'installation : une clé Allen (4 mm), une clé à griffe, une clé ajustable pour différents tournevis, ruban ou joint d'étanchéité (facultatif pour les vannes de limitation de pression).
Matériel recommandé pour la fixation murale de la cartouche filtrante (facultatif) : deux vis (par ex. 5 mm de diamètre) et deux chevilles (si besoin).

Veuillez utiliser les chevilles et vis adéquates en fonction du type de mur dans l'espace sous l'évier.

3 Garantie

Le système de filtration mypure est soumis à une garantie légale de deux ans. Toute réclamation au titre de la garantie ne peut être invoquée que si l'ensemble des instructions présentes dans ce mode d'emploi sont suivies et respectées.

Toute réclamation au titre de la garantie sera annulée si une installation est considérée comme défectueuse car ayant contribué à un dysfonctionnement. L'installation doit être effectuée conformément aux instructions et à tous les codes et normes de plomberie en vigueur.

Avant de commencer, assurez-vous que vous disposez de tous les composants indiqués ci-dessus (voir fig. 1) ainsi que des outils recommandés.

L'installation se déroule en 7 étapes.



L'installation du système de filtration doit être conforme aux normes et réglementations de plomberie locales et nationales applicables.

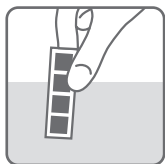


Veuillez lire attentivement les caractéristiques techniques (chapitre 6) et les informations de fonctionnement et de sécurité avant l'installation. (Après un stockage et un transport à une température inférieure à 0 °C, le produit doit être entreposé dans son emballage d'origine ouvert pendant au moins 24 heures à la température ambiante indiquée [voir le chapitre 6.1] pour le fonctionnement). Le système ne peut pas être installé avec un chauffe-eau basse pression.

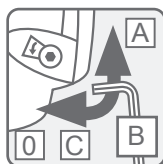
II. Installation facile en 7 étapes

Étape 1: sélectionner le réglage de la dureté carbonatée (A/B/C) sur la tête de filtre

Par défaut, la tête de filtre est réglée sur « B ».
Pour l'utiliser avec la cartouche filtrante A 1000 fournie, vous devez modifier le réglage dans la fenêtre pour afficher « 0 ». Utilisez une clé Allen de 4 mm (clé à douille hexagonale) et tournez l'écrou hexagonal en direction de la flèche jusqu'à faire apparaître le « 0 » dans la fenêtre. (voir fig. 2).



(fig. 2)



(fig. 3)

Pour utiliser le système avec la cartouche filtrante P 1000 fournie, sélectionnez le réglage de dureté carbonatée (A/B/C) sur la tête de filtre.

La tête de filtre propose trois réglages : eau moyennement dure (A), eau dure (B) et eau très dure (C). Veuillez suivre les instructions ci-dessous pour ajuster le réglage en fonction de votre eau du robinet locale. Commencez par réaliser un test de dureté carbonatée à l'aide de la bandelette de test fournie.

Utilisation de la bandelette de test :

- Immergez toutes les zones de réaction de la bandelette de test dans un verre d'eau du robinet (entre 15 et 30 °C) pendant une seconde (attention, pas sous l'eau courante !) (voir fig. 2).
- Secouez la bandelette pour éliminer l'eau en excès. Après une minute, regardez combien de zones de réaction ont changé de couleur.

En fonction du nombre de zones de réaction qui ont changé de couleur, nous vous recommandons de régler votre tête de filtre comme suit :

Réglage	A	B	C
Nombre de zones réactives dont la couleur a changé			

Tournez en direction de la flèche jusqu'à faire apparaître le « C » dans la fenêtre. Tournez dans le sens inverse de la flèche jusqu'à faire apparaître le « A » dans la fenêtre (fig. 3).

La tête de filtre contient un régulateur de débit qui est déjà installé. Celui-ci garantit un débit fluide de l'eau, même en cas de pression élevée.

Étape 2 : activer l'indicateur de changement de la cartouche filtrante BRITA

L'indicateur de changement de la cartouche filtrante vous indique qu'il est temps de remplacer la cartouche par le biais de trois voyants lumineux de couleur différente.

A Mise en service :

Retirez la languette de la pile (fig. 4). Toutes les LED doivent clignoter brièvement. Fermez le compartiment. Appuyez sur le bouton « Reset » pendant trois secondes jusqu'à ce qu'un petit voyant vert clignote trois fois sur la partie supérieure (fig. 4).

B Programmation initiale de l'indicateur de changement de la cartouche filtrante BRITA :

Selon le réglage sélectionné pour la tête de filtre (étape 1), vous devez programmer l'indicateur de changement de la cartouche filtrante comme suit (voir fig. 4) :

- Appuyez sur le bouton sur le côté gauche « CARTRIDGE » (CARTOUCHE) pour définir la cartouche que vous utilisez. Si vous appuyez sur le bouton une fois, deux LED jaunes clignotent (réglage de cartouche par défaut : P 1000). Appuyez ensuite sur le bouton jusqu'à ce que deux LED jaunes clignotent : le réglage adéquat pour la cartouche filtrante :

Si vous utilisez la cartouche filtrante A 1000, appuyez sur le bouton jusqu'à ce qu'une LED jaune clignote.

Si vous utilisez la cartouche filtrante P 1000, appuyez sur le bouton jusqu'à ce que deux LED jaunes clignotent.

Si vous utilisez la cartouche filtrante P 3000, appuyez sur le bouton jusqu'à ce que trois LED jaunes clignotent.

- Appuyez sur le bouton sur le côté droit « HARDNESS » (DURETÉ) pour définir la dureté de l'eau. Si vous appuyez sur le bouton une fois, deux LED jaunes clignotent (réglage de dureté par défaut : B). Appuyez ensuite sur le bouton jusqu'à ce que deux LED jaunes clignotent : le réglage adéquat pour la dureté de l'eau :

Pour choisir le réglage de dureté de l'eau C, appuyez sur le bouton jusqu'à ce qu'une LED jaune clignote.

Pour choisir le réglage de dureté de l'eau B, appuyez sur le bouton jusqu'à ce que deux LED jaunes clignotent.

Pour choisir le réglage de dureté de l'eau A, appuyez sur le bouton jusqu'à ce que trois LED jaunes clignotent (voir le tableau ci-dessous).

Lorsque vous utilisez le système avec une cartouche filtrante A 1000, le réglage du niveau de dureté n'est pas nécessaire et n'a aucun effet sur la durée de vie de la cartouche.

- Pour modifier un réglage, appuyez simplement sur le bouton jusqu'à ce que le nombre de LED souhaité clignote.
- Insérez l'indicateur de changement de la cartouche filtrante dans le levier BRITA (voir fig. 5).

C Fonctionnement de l'indicateur de changement de la cartouche filtrante BRITA

Pour obtenir les meilleures performances, il est recommandé de remplacer régulièrement la cartouche filtrante, selon les indications du présent mode d'emploi. L'indicateur de changement de la cartouche BRITA, situé sur le levier BRITA, vous indique lorsque vous devez changer la cartouche filtrante.

D Signaux

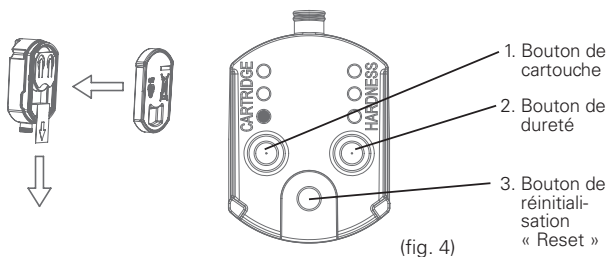
Les trois voyants situés sur le levier BRITA ne sont actifs qu'en position de filtration. Ils indiquent :

- Lumière verte : le filtre BRITA fonctionne de manière optimale.
- Lumière jaune : 90 % de la capacité de filtration a été utilisée. N'oubliez pas d'acheter une nouvelle cartouche filtrante.
- Lumière rouge : la cartouche filtrante est épuisée et doit être remplacée.

Caractéristiques techniques :

- Pile : 1 x CR2032 (amovible)
- Durée de vie de la pile : env. 2 ans

! N'immergez pas l'indicateur de changement de la cartouche dans l'eau.

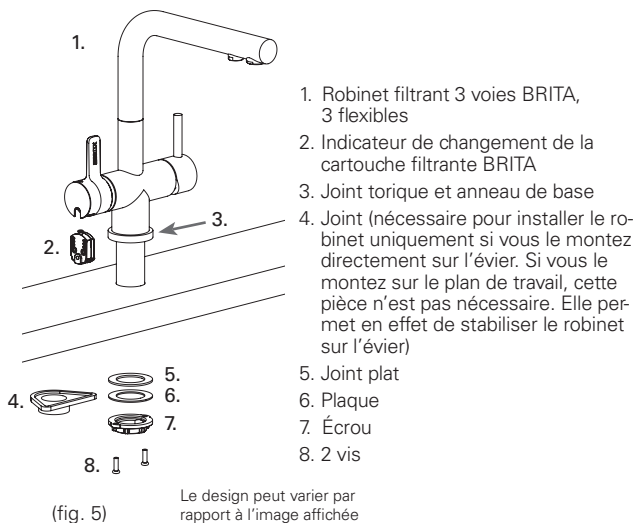


	1 LED	2 LED	3 LED
Réglage de dureté de l'eau « HARDNESS »	C	B	A
Réglage de cartouche « CARTRIDGE »	A 1000	P 1000	P 3000

Étape 3 : installer le robinet filtrant 3 voies BRITA

Pour installer le robinet filtrant 3 voies, assurez-vous d'abord que vous disposez de tous les composants requis.

! Vérifiez qu'il y a suffisamment de place pour accéder à l'espace sous l'évier et installer la tête de filtre et la cartouche, ainsi que pour connecter tous les flexibles.



Pour commencer, retirez le robinet de cuisine existant.

- a) Coupez l'alimentation en eau générale (ou en eau chaude et froide, le cas échéant)
- b) Vérifiez que vous avez bien relâché la pression en ouvrant tous les robinets.

! Rien ne doit couler du robinet de cuisine existant.

- c) Dévissez les flexibles existants sur l'alimentation en eau chaude et froide.



Nous vous recommandons de placer un contenant adapté sous l'alimentation. En effet, de l'eau va couler des flexibles lorsque vous allez les dévisser.

- d) Dévissez le robinet de cuisine. Il n'existe pas de montage standard, mais une clé à griffe suffit généralement à démonter ce type de système.
- e) Retirez le robinet de cuisine et les flexibles.



Veillez à placer un contenant adapté sous l'alimentation en eau. Si vous disposez de vannes d'arrêt/ robinets dédiés aux entrées d'eau chaude et froide à votre point d'utilisation, ouvrez l'alimentation en eau pour rincer vos canalisations avant d'installer le nouveau robinet. Faites attention à ne pas vous brûler avec l'alimentation en eau chaude.

- f) Placez votre robinet filtrant 3 voies dans l'orifice de 35 mm. Vérifiez la bonne disposition des composants. Contrôlez la position du robinet, et vissez l'écrou puis les deux vis supplémentaires (fig. 5, n° 7+8).

Étape 4 : installer le système de filtration

Veillez consulter le schéma ci-dessous (voir fig. 6) et réaliser les étapes dans l'ordre. Vissez la vanne de limitation de pression sur le robinet d'arrêt de 1/2".



Si vous ne disposez pas de l'alimentation en eau froide de 3/8" supplémentaire pour le robinet filtrant 3 voies, vous n'avez pas besoin d'installer la pièce en T fournie.

Raccordement de la pièce en T

Raccordez la pièce en T fournie au robinet d'arrêt d'eau froide. Vérifiez que le joint plat pré-assemblé est bien positionné.

Fixation des flexibles

Tous les flexibles disposent de joints plats pré-assemblés. Vérifiez qu'aucun joint plat ne manque et que le joint plat pré-assemblé est bien positionné.

A) Installer les 3 flexibles du robinet filtrant 3 voies

- Raccordez le flexible avec la bande rouge à l'alimentation en eau chaude.
- Raccordez le flexible avec la bande bleue à l'alimentation en eau froide.
- Raccordez le flexible gris de 1000 mm connecté au robinet filtrant 3 voies à la sortie d'eau de la tête de filtre sur laquelle se trouvent une flèche et la mention « OUT » (SORTIE).

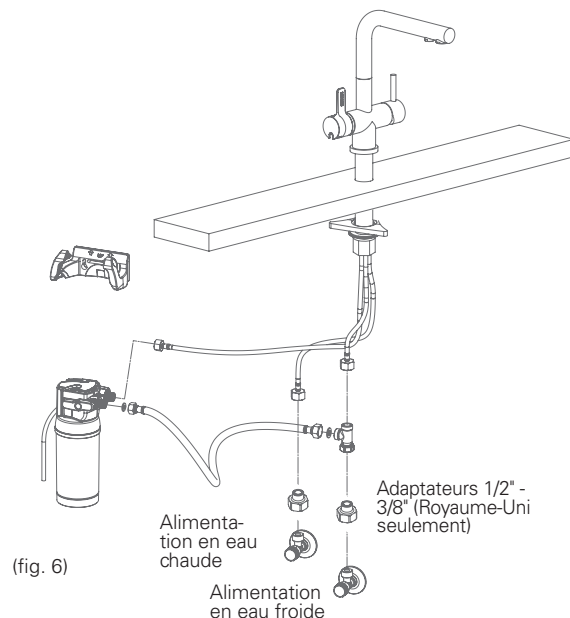
Vérifiez que les joints plats sont bien positionnés !

B) Flexible distinct fourni dans le kit d'installation

- Prenez le flexible avec les deux raccords. Raccordez une extrémité au côté libre de la pièce en T
- Raccordez l'autre extrémité à l'arrivée de la tête de filtre. Celle-ci présente l'inscription « IN » (ARRIVÉE) ainsi qu'une flèche.

Vérifiez que les joints plats sont bien positionnés !

Vérifiez que tous les raccords sont bien serrés. Évitez cependant de serrer excessivement.



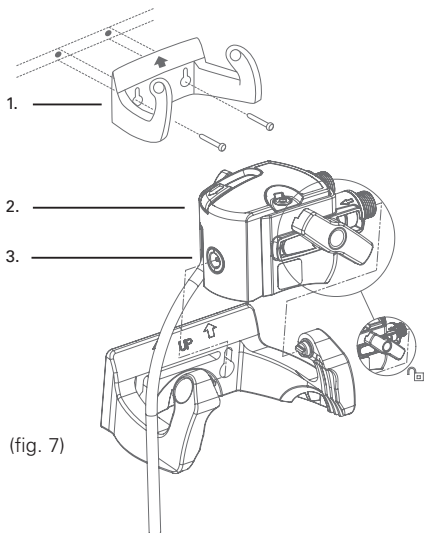
(fig. 6)



Le couple de serrage max. pour les raccords G 3/8" ne doit pas dépasser 14 Nm ! Seuls des adaptateurs avec rondelle peuvent être utilisés. Les flexibles avec des raccords à tête conique endommagent les raccords de la tête de filtre et annulent toute réclamation au titre de la garantie du produit.

Étape 5 (facultative) : utiliser une fixation murale peu encombrante pour installer la cartouche filtrante sous l'évier (voir fig. 7)

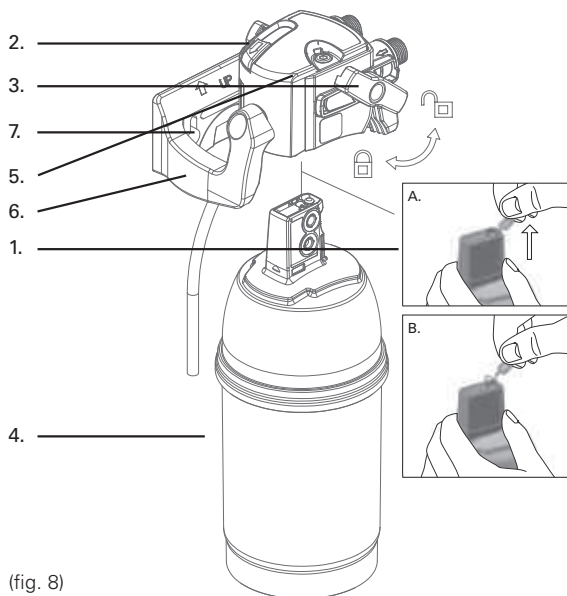
- A** Fixez le support de fixation murale peu encombrant (1) à l'aide des deux vis correspondantes et de deux chevilles (non fournies), à adapter selon le type de mur de support. Placez-le dans un lieu accessible afin de pouvoir faire pivoter la tête à 90° et changer ainsi plus facilement la cartouche filtrante. La hauteur d'installation recommandée est de 420 mm. Vous pourrez ainsi basculer facilement entre les cartouches filtrantes P 1000 et P 3000 si vous passez de l'une à l'autre à l'usage. La hauteur minimale pour les cartouches A 1000 / P 1000 est de 270 mm. Vérifiez que les flexibles sont suffisamment longs pour atteindre la tête de filtre lorsque vous positionnez le support mural.
- B** Engagez la tête de filtre (2) dans la fixation murale (1) à l'aide des encoches (3) situées sur les côtés de la tête de filtre. La tête de filtre doit tenir bien en place.



(fig. 7)

Étape 6 : insérer la cartouche filtrante (voir fig. 8)

- A** Retirez la languette de protection rouge (1).
- B** Insérez la cartouche filtrante (4) en position verticale dans la tête de filtre (5).
- C** Tournez la poignée de verrouillage (3) dans la direction du signe de fermeture illustré sur la tête du filtre, jusqu'à entendre un déclic.
- D** Engagez la tête de filtre (5) dans la fixation murale (6). Veuillez utiliser les trous de fixation (7).



(fig. 8)

! La cartouche filtrante peut être insérée uniquement lorsque la poignée de verrouillage (3) est en position ouverte. Assurez-vous que la cartouche filtrante et tous les joints toriques sont bien positionnés.

! Au cours du montage, faites attention aux cotes de montage, aux rayons de courbure des flexibles et aux dimensions des accessoires. Le système peut fonctionner avec une cartouche filtrante installée en position verticale ou horizontale. Le support de fixation permet de l'installer à la verticale uniquement, avec la flèche « UP » correctement positionnée.

Étape 7 : mettre en service

Avant utilisation, vérifiez que vous avez suivi toutes les étapes correctement et que toutes les pièces sont correctement raccordées. Placez un contenant adéquat sous la cartouche pour recueillir d'éventuelles fuites.

- A Ouvrez l'alimentation en eau chaude et froide, et vérifiez le système avec soin à la recherche d'éventuelles fuites.
- B Ouvrez le robinet filtrant 3 voies BRITA et laissez l'eau couler jusqu'à ce que l'eau filtrée soit claire et exempte de bulles (au moins un litre).

Remplacement de la cartouche filtrante

Si le volume d'eau recommandé est atteint ou si la durée maximale d'utilisation de la cartouche filtrante est atteinte depuis sa mise en service, l'indicateur de changement de la cartouche filtrante BRITA clignote en rouge pour vous rappeler de la remplacer (la durée de vie maximale de la cartouche est indiquée dans l'aperçu des caractéristiques techniques, page 31).



Lisez les informations de fonctionnement et de sécurité (chapitre 9) avant de changer la cartouche.

REMARQUE

Vous pouvez faire pivoter la cartouche filtrante à 90° dans le support de fixation murale pour la retirer plus facilement. Lorsque la poignée de verrouillage est ouverte, l'alimentation en eau de la cartouche filtrante est interrompue. Vous n'avez pas besoin de fermer le robinet d'arrêt ou de couper l'arrivée d'eau générale.

Remplacement de la cartouche filtrante (voir fig. 8) :

- A Déverrouillez la cartouche en utilisant les deux leviers bleus situés sur les côtés de la tête de la cartouche.
- B Avant de dépressuriser le système, commencez par placer un contenant adapté sous le flexible de purge afin de récupérer l'eau, puis ouvrez la vanne de purge (2). Refermez ensuite la vanne de purge (2).
- C Retirez la cartouche filtrante usagée (4) de la tête de filtre (5).
- D Insérez la nouvelle cartouche filtrante (voir l'étape 5, chapitre 2).
- E Verrouillez la cartouche en place avec les deux leviers bleus (3).
- F Réinitialisez l'indicateur de changement de la cartouche filtrante BRITA (voir l'étape 2, chapitre 2).
- G Enfin, actionnez la poignée bleue BRITA de votre robinet filtrant et laissez couler l'eau filtrée jusqu'à ce qu'elle soit claire et sans bulles (au moins 1 litre). Lorsqu'elle est claire, votre nouvelle cartouche est parfaitement ajustée et peut être utilisée immédiatement.

Activation de l'indicateur de changement de la cartouche BRITA

- A Appuyez sur le bouton « Reset » (voir fig. 4) de l'indicateur de changement de la cartouche filtrante BRITA pendant au moins trois secondes jusqu'à ce que la LED clignote en vert.
- B Le minuteur démarre automatiquement.

Remarques importantes – Risque de dommages !

Vérifiez régulièrement l'absence de fuites dans le système de filtration. Vérifiez régulièrement les flexibles à la recherche de pliures. Les flexibles pliés doivent être remplacés.



Avant de changer le système de filtration, lisez les caractéristiques techniques (chapitre 6) et les informations de fonctionnement et de sécurité (chapitre 7).

Nettoyez régulièrement l'extérieur du système de filtration avec un chiffon doux et humide.



N'utilisez pas de produits chimiques abrasifs, de solutions de nettoyage ni de produits nettoyants astringents.

Il est recommandé de nettoyer régulièrement le robinet et l'aérateur si besoin. Utilisez un détergent doux et un chiffon en microfibre adapté pour nettoyer la surface du robinet. En effet, du tartre provenant de l'eau non filtrée peut se déposer autour de l'aérateur. La fréquence de nettoyage dépend ainsi de la dureté de l'eau. Pour éliminer la saleté et le tartre efficacement, dévissez l'embout du robinet et retirez l'aérateur.

Dépannage

A Aucun débit d'eau

Cause : arrivée d'eau fermée.
Dépannage : ouvrez l'arrivée d'eau en amont du robinet d'arrêt ou en fermant la poignée de verrouillage (3) sur la tête de filtre (5).

B Aucun débit d'eau ou débit faible, alors que l'arrivée d'eau est ouverte

Cause : pression du réseau trop basse.
Dépannage : contrôlez la pression du réseau. Si le problème persiste, contrôlez le système de filtration et la cartouche filtrante, et remplacez la cartouche si besoin.

Cause : Tête de filtre montée dans la direction opposée du débit de l'eau.

Dépannage : démontez la tête de filtre et installez-la en direction du débit de l'eau (voir l'étape 4, chapitre 2).

C Fuite

Cause : raccordements vissés mal serrés.
Dépannage : contrôlez la pression du réseau. Contrôlez tous les raccordements vissés conformément aux instructions de l'étape 4, chapitre 2.

D Aucune indication LED pendant l'utilisation

Cause : la pile n'est pas insérée correctement ou est usée.
Dépannage : vérifiez si la pile est insérée correctement. Remplacez la pile si besoin.
vérifiez également si la languette de la pile a été retirée.

VI. Caractéristiques techniques

6.1 Caractéristiques techniques des cartouches filtrantes

Pression en service de la cartouche filtrante		P 1000 P 3000 A 1000	2 à 8,6 bars max. " 1 à 3,6 bars max.
Température de l'eau à l'entrée		4°C à 30°C	
Température ambiante pour	le fonctionnement	4°C à 40°C	
	le stockage/transport	-20°C à 50°C	
Position de fonctionnement		Horizontale et verticale	
Raccord de sortie d'eau		G3/8"	
Capacité avec une dureté carbonate jusqu'à 10 °dH au réglage « A »	P 1000	Jusqu'à 1200 l	
	P 3000	Jusqu'à 3400 l	
Capacité avec une dureté carbonate de 10 à 17 °dH au réglage « B »	P 1000	Jusqu'à 600 l	
	P 3000	Jusqu'à 1700 l	
Capacité avec une dureté carbonate de 17 à 24 °dH au réglage « C »	P 1000	Jusqu'à 400 l	
	P 3000	Jusqu'à 1100 l	
Capacité A 1000		Jusqu'à 4000 l/6 mois	
Perte de pression au débit de service nominal	A 1000	0,2 – 1,4 bar	
Poids (sec/humide)	P 1000	1 kg/1,6 kg	
	P 3000	1,8 kg/2,8 kg	
	A 1000	0,5 kg/1 kg	
Dimensions (l/P/H)	Système de filtration (tête de filtre et cartouche filtrante)	P 1000	119/108/268 mm
		P 3000	117/104/419 mm
		A 1000	109/93/238 mm
	Cartouche filtrante	P 1000	108 mm/108 mm/259 mm
		P 3000	104 mm/104 mm/410 mm
		A 1000	88/88/231 mm
	Après installation (montage vertical avec fix. murale)	P 1000	137/130/268 mm
		P 3000	137/128/419 mm
		A 1000	137/120/238 mm

Capacité de filtration	A 1000	Test réalisé par un laboratoire indépendant* efficacité de réduction de 97 % min. des substances suivantes, mesurées sur 4000 l. Chlore Bromoforme Bromodichlorométhane, Tétrachloroéthylène, Dibromochlorométhane, Trichloréthylène
Rétention des particules (NSF 42)	A 1000	Classe I (0,5 µm)
Réduction de la teneur en chlore (NSF 42)	P 1000	Classe I (50 %)
	P 3000	
	A 1000	Classe I (50 %)
Réduction de la teneur en chlore (DIN EN 14898)	P 1000	Classe I (> 90 %)
	P 3000	
	A 1000	Classe I (> 90 %)

* Sur la base des résultats de test JIS S 3201 (Japanese Industrial Standards, normes industrielles japonaises)

6.2 Caractéristiques techniques du robinet filtrant 3 voies BRITA

Pression en service	2 à 10 bars max.		
Raccordement à l'eau froide	4°C à 30°C		
Raccordement à l'eau chaude	max. 60°C		
Débit de l'eau filtrée	3,5 l/min		
Débit de l'eau non filtrée	7 l/min (robinet rectangulaire) 8 l/min (robinet arrondi)		
Niveau acoustique	Groupe II/-		
	Poids	Dimensions (l/P/H)	Aérateur
Robinet forme rectangulaire	2,3 kg	18,1 cm / 26,1 cm / 29,0 cm	M24x1 M18x1 (non filtré)
Robinet forme arrondie	2,3 kg	18,1 cm / 22,7 cm / 40,0 cm	M24x1, 8 l/min



Le système ne peut pas être installé avec un chauffe-eau basse pression car il pourrait entraîner un dégât des eaux.

6.3 Volume de rinçage après inactivité

Volume de rinçage après 2 ou 3 jours d'inactivité	Volume de rinçage X
P 1000	2 litres
P 3000	3 litres
A 1000	1 litre
Volume de rinçage après 4 semaines d'inactivité	Volume de rinçage Y
P 1000	20 litres
P 3000	30 litres
A 1000	10 litres

VII. Remarques importantes

Fonctionnement et sécurité

Veillez à protéger la cartouche filtrante de la lumière directe du soleil et des dommages mécaniques.

Ne réalisez pas le montage à proximité d'une source de chaleur ou de flammes nues. Le robinet filtrant 3 voies BRITA convient uniquement à un usage domestique. Le système de filtration BRITA ne doit être utilisé qu'avec de l'eau du robinet potable.

La cartouche filtrante BRITA est adaptée uniquement à une utilisation avec de l'eau froide respectant la plage de température indiquée au chapitre 6. Une eau du robinet dont la qualité microbiologique n'est pas avérée ou dont la qualité et la potabilité sont inconnues ne peut être utilisée sans prendre au préalable les mesures de désinfection ou de potabilisation appropriées.

Le système ne peut être installé avec un chauffe-eau basse pression.

Quelle que soit l'eau potable utilisée, vous devriez toujours utiliser des ustensiles en acier inoxydable ou des bouilloires avec des éléments chauffants en acier inoxydable. Cela revêt une importance toute particulière pour les personnes présentant une sensibilité au nickel.

En cas d'alerte officielle relative à l'eau du robinet potable : commencer par filtrer, puis faire bouillir

Si des instructions officielles vous recommandent de faire bouillir l'eau potable, le système de filtration doit être mis au repos. L'eau filtrée doit également être préalablement bouillie avant consommation, comme pour l'eau potable. Lorsqu'il n'est plus nécessaire de faire bouillir l'eau, la cartouche filtrante doit être remplacée et les raccords doivent être nettoyés.

L'hygiène vaut de l'or

- Pour des raisons d'hygiène, la composition du filtre des cartouches P 1000/P 3000 est soumise à un traitement spécial qui contient de l'argent. Une faible quantité d'argent peut se retrouver dans l'eau. Cette quantité se situe en deçà des limites prévues par l'Organisation mondiale de la santé (OMS).
- Il est généralement recommandé de faire bouillir l'eau du robinet pour certaines catégories de personnes (par exemple les personnes ayant un système immunitaire affaibli ou les bébés). Pour ces personnes, cette recommandation s'applique également à l'eau filtrée.

Comme pour les robinets classiques, vous devez laisser l'eau couler et rincer le système pendant un court moment avant de consommer votre eau filtrée BRITA.

Utilisation optimale

- BRITA recommande de ne pas laisser le système de filtration sans activité pendant une période prolongée. Si le robinet filtrant 3 voies BRITA n'est pas utilisé pendant plusieurs jours (deux à trois jours), nous vous recommandons de rincer le système de filtration avec le volume de rinçage X indiqué dans le tableau en page 32. Après des périodes d'inactivité de plus de quatre semaines, le filtre doit être rincé en laissant couler le volume de rinçage Y indiqué dans le tableau en page 32. Veuillez également noter que la période d'utilisation maximale de la cartouche filtrante est limitée à 12 mois, quel que soit le volume effectivement utilisé.
- L'eau filtrée BRITA est destinée à la consommation humaine. Veillez à l'utiliser sous 24-48 heures.
- Le système de filtration ne doit pas être ouvert ou démonté en cours de fonctionnement. La cartouche filtrante ne doit pas être ouverte.
- La tête de filtre du système de filtration est conçue pour une durée moyenne d'utilisation de cinq ans à compter de la date d'installation.

Êtes-vous sensible au potassium ?

Le processus de filtration peut causer une légère augmentation du niveau de potassium. Cependant, un litre d'eau filtrée BRITA contient moins de potassium qu'une pomme, par exemple. Si vous souffrez d'une maladie rénale et/ou devez suivre un régime pauvre en potassium, nous vous recommandons de consulter un médecin avant d'utiliser le filtre à eau.

Traces naturelles

La cartouche filtrante contient du charbon actif, dérivé d'écorces naturelles de noix de coco. Ce type de matière reste quelque peu friable, et cela peut se traduire par une légère abrasion des petites particules de charbon dans votre eau filtrée. Ce phénomène se traduit par une poussière noire. Ces particules n'ont pas d'effets néfastes sur la santé. En cas d'ingestion, elles ne sont pas dangereuses pour le corps humain. Si vous constatez la présence de particules de charbon dans l'eau filtrée, BRITA recommande de rincer la cartouche filtrante A 1000 en actionnant le robinet filtrant afin d'évacuer les dépôts de particules.

Exclusion de responsabilité

BRITA ne peut être tenue pour responsable de tout dommage, y compris les dommages indirects, découlant d'une installation ou d'une utilisation incorrecte ou inappropriée du produit.

Satisfait ou remboursé : la garantie BRITA

Nous sommes convaincus que ce produit BRITA répondra à toutes vos attentes en matière de qualité et de performance. Si toutefois ce produit ne satisfaisait pas vos exigences, notez que nous acceptons les retours sous 30 jours à compter de la date d'achat, et nous vous remboursons le prix d'achat. Il vous suffit de nous envoyer le produit avec votre preuve d'achat faisant foi (ticket de caisse) ainsi que le motif du retour, votre numéro de téléphone et vos coordonnées complètes à l'adresse du service consommateur de votre pays (voir au dos du présent livret).

Recyclage BRITA : par respect pour l'environnement

Afin de collaborer ensemble au respect de notre environnement, vous pouvez rapporter vos cartouches filtrantes P 1000 chez certains revendeurs BRITA. En savoir plus : pour plus d'informations sur le recyclage, rendez-vous sur www.brita.fr



Mise au rebut appropriée de l'indicateur de changement de la cartouche filtrante BRITA

Les indicateurs de changement de la cartouche filtrante BRITA présentent une durée d'utilisation moyenne d'environ cinq ans. Lorsqu'ils arrivent en fin de vie, n'oubliez pas de les mettre au rebut conformément aux directives et réglementations nationales en vigueur.



L'assistance téléphonique de BRITA est là pour vous

Vous avez des questions sur votre produit BRITA ?

Ou sur la filtration de l'eau ? N'hésitez pas à nous appeler !

Vous trouverez les coordonnées de votre service consommateur BRITA à côté du code de votre pays à l'arrière du présent mode d'emploi.

Le meilleur de l'eau : www.brita.fr

Vous cherchez un revendeur de produits BRITA près de chez vous ? Vous avez besoin d'informations complémentaires sur les produits BRITA ? Ou peut-être sur l'entreprise BRITA ?

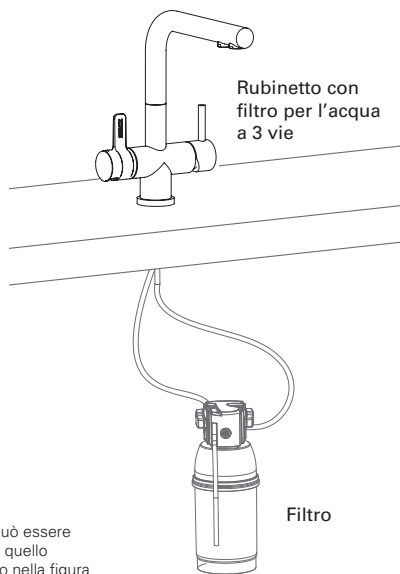
Vous voulez tirer le meilleur profit des offres de service BRITA ? Retrouvez en permanence des informations actualisées, des conseils, des concours réguliers ou encore de délicieuses recettes à base de thé ou de café sur www.brita.net

Enregistrement de votre produit en ligne

Enregistrez votre produit pour profiter des avantages sur www.register.brita.net.



Points de collecte sur www.quefairedemesdechets.fr
Privilégiez la réparation ou le don de votre appareil !



1 Ringraziamenti

Grazie per aver scelto questo rubinetto con filtro BRITA. Per assicurarvi tutti i vantaggi dell'acqua filtrata BRITA dal gusto eccellente, prima di installarlo leggi accuratamente le istruzioni relative a installazione, funzionamento e messa in funzione.

2 Componenti inclusi

Il sistema di filtrazione Mypure include i seguenti componenti (vedi fig. 1):

1. Testa del filtro con le impostazioni "A", "B", "C" e "O" inclusa una comoda maniglia di bloccaggio
2. Un supporto a parete flessibile per la testa del filtro
3. Filtro per l'acqua
4. Rubinetto a 3 vie con filtro per l'acqua (il design può essere diverso da quello visualizzato nella figura)
5. Indicatore dello stato del filtro

6. Batteria (CR 2032)
7. Tubo flessibile per sistema di filtrazione
8. Istruzioni per l'uso
9. Cartina della durezza da carbonati
10. Raccordo a T
11. 2 Adattatori filettatura femmina da 1/2" a filettatura maschio da 3/8" (Solo in UK)

Strumenti consigliati per l'installazione: una chiave a brugola esagonale (4 mm), una chiave stringitubo oppure una chiave aperta da 19 mm, un cacciavite, opzionale: nastro sigillante (se si usa una valvola di limitazione della pressione), chiave aperta da 26 mm se si usa adattatore da 1/2 pollice (solo per il Regno Unito). Per il fissaggio a parete del filtro (opzionale), sono necessari: due viti (ad es. misura 5 mm) e due tasselli (se necessari).

Utilizzare viti e tasselli idonei al tipo di parete nel vano sotto il lavello.

3 Garanzia

Il sistema di filtrazione Mypure è coperto da una garanzia di legge di 2 anni. Un reclamo in garanzia può essere fatto valere solo se sono state seguite e osservate tutte le istruzioni presenti in questo manuale.

Qualsiasi diritto relativo alla garanzia decade nel momento in cui si ritiene che il malfunzionamento sia dovuto a un'installazione difettosa. L'installazione deve essere eseguita in conformità alle istruzioni e a tutte le norme e gli standard di sicurezza applicabili.

Prima di iniziare, verificare di avere a disposizione tutti i componenti indicati in precedenza (vedere fig. 1) e gli strumenti consigliati.

L'installazione si suddivide in 7 fasi.



L'installazione del sistema di filtrazione deve essere conforme agli standard e alle normative locali e statali pertinenti in materia di impianti idraulici.



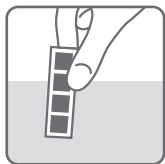
Prima di eseguire l'installazione, leggere i dati tecnici (capitolo 6) o le informazioni sul funzionamento e la sicurezza. (Dopo l'immagazzinamento e il trasporto ad una temperatura inferiore a 0 °C, il prodotto deve essere conservato nella confezione originale aperta per almeno 24 ore (capitolo 6.1) prima della messa in funzione). Il sistema non può essere installato con caldaie a bassa pressione.

II. Installazione semplice in 7 fasi

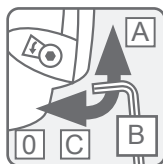
Fase 1: Selezione della durezza da carbonati (A/B/C) sulla testa del filtro

Per impostazione predefinita, la testa del filtro è impostata su "B".

Per l'utilizzo con il filtro A 1000 fornito è necessario modificare le impostazioni nell'indicatore a "0". Utilizza la chiave esagonale da 4 mm (chiave a brugola esagonale) e ruota il dado esagonale in direzione della freccia nell'indicatore fino a quando appare "0" (Riferimento fig. 2)



(Fig. 2)



(Fig. 3)

Per utilizzare il filtro P 1000 fornito seleziona l'impostazione della durezza da carbonati (A/B/C) sulla testa del filtro.

La testa del filtro consente tre impostazioni per acqua con durezza media (A), acqua con durezza elevata (B) e acqua con durezza molto elevata (C). Segui le istruzioni indicate di seguito per regolare l'impostazione corretta in base alla qualità dell'acqua locale. Per prima cosa è necessario eseguire il test della durezza da carbonati utilizzando la cartina in dotazione.

Come utilizzare la cartina:

- Immergi per 1 secondo la cartina in un bicchiere contenente acqua di rubinetto (15-30 °C) (non sotto l'acqua corrente) in modo che tutte le zone di reazione della cartina siano immerse nell'acqua (fig. 2).
- Elimina l'eccesso di acqua dalla cartina e dopo 1 minuto verifica quante zone di reazione hanno cambiato colore.

In base al numero di zone di reazione che hanno cambiato colore, raccomandiamo di impostare la testa del filtro come segue:

Impostazione	A	B	C
Numero di zone di reazione che hanno cambiato colore			

Ora puoi modificare l'impostazione in base alla durezza della tua acqua. Per modificare l'impostazione, utilizza una chiave esagonale (4 mm). Ruotala in direzione della freccia fino a quando nell'indicatore appare il simbolo "C". Ruotala in direzione opposta rispetto alla freccia fino a quando nell'indicatore appare il simbolo "A" (fig. 3).

La testa del filtro contiene un regolatore di flusso già installato che garantisce un flusso di acqua regolare anche con pressioni dell'acqua più elevate.

Fase 2: Inizializzazione dell'indicatore dello stato del filtro BRITA

L'indicatore dello stato del filtro BRITA ti ricorda, tramite una luce lampeggiante a tre colori, quando è il momento di sostituire il filtro.

A Alla prima messa in funzione:

Rimuovi la linguetta della batteria (fig. 4). Tutti i LED dovrebbero lampeggiare brevemente. Chiudi il vano. Tieni premuto per tre secondi il pulsante Reset finché una piccola luce verde in alto non lampeggia tre volte (fig. 4).

B Programmazione iniziale dell'indicatore dello stato del filtro BRITA:

In base al settaggio che hai scelto per la testa del filtro (fase 1), dovrai programmare l'indicatore dello stato del filtro BRITA come segue (vedi fig. 5):

- Premi il pulsante sul lato sinistro (CARTRIDGE) per impostare il tipo di filtro che stai utilizzando. Se premi il pulsante una volta, lampeggeranno due LED gialli (impostazione predefinita del filtro: P 1000). Quindi premi il pulsante fino a quando appare l'impostazione corrispondente al filtro utilizzato:
 - Se utilizzi il filtro A 1000, premi il pulsante finché non lampeggia un LED giallo.
 - Se utilizzi il filtro P 1000, premi il pulsante finché non lampeggiano due LED gialli.
 - Se utilizzi il filtro P 3000, premi il pulsante finché non lampeggiano tre LED gialli (fai riferimento alla tabella seguente).
- Premi il pulsante sul lato destro (HARDNESS) per scegliere la durezza dell'acqua. Se premi il pulsante una volta, lampeggeranno due LED gialli (impostazione predefinita della durezza dell'acqua: B). Quindi, premi il pulsante fino a quando non appare l'impostazione corrispondente alla tua durezza dell'acqua:

Per scegliere l'impostazione C per la durezza dell'acqua, premi il pulsante finché non lampeggia un LED giallo.

Per scegliere l'impostazione B per la durezza dell'acqua, premi il pulsante finché non lampeggiano due LED gialli.

Per scegliere l'impostazione A per la durezza dell'acqua, premi il pulsante finché non lampeggiano tre LED gialli (fai riferimento alla tabella seguente).

Quando utilizzi il sistema con il filtro A 1000, l'impostazione del livello di durezza dell'acqua non è necessaria e non avrà un impatto sulla durata del filtro.

- Per modificare un'impostazione, è sufficiente premere il pulsante finché non lampeggia il numero corretto di luci.
- Inserisci l'indicatore dello stato del filtro BRITA nella leva BRITA (vedi fig. 5).

C Funzionamento dell'indicatore dello stato del filtro BRITA

Per ottenere performance ottimali, devi sostituire regolarmente il filtro. L'indicatore dello stato del filtro BRITA nella leva BRITA ti indica quando è necessario sostituire il filtro.

D Segnali

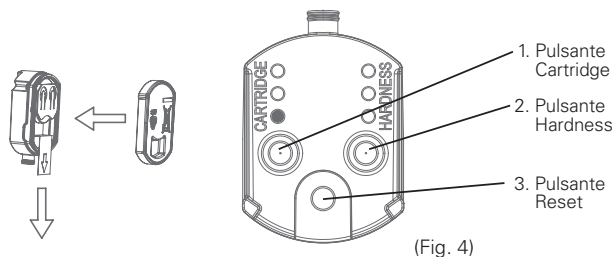
Le tre luci nella leva BRITA si attivano solo in posizione di filtraggio. Esse indicano:

- Luce verde: il filtro BRITA sta funzionando con prestazioni ottimali.
- Luce gialla: è stato utilizzato il 90% della capacità del filtro. Ricorda di acquistare un nuovo filtro per effettuare la sostituzione.
- Luce rossa: il filtro è esaurito e deve essere sostituito.

Dati tecnici:

- Batteria: 1 x CR2032 (rimovibile)
- Durata della batteria: circa 2 anni

! Non immergere l'indicatore dello stato del filtro in acqua.

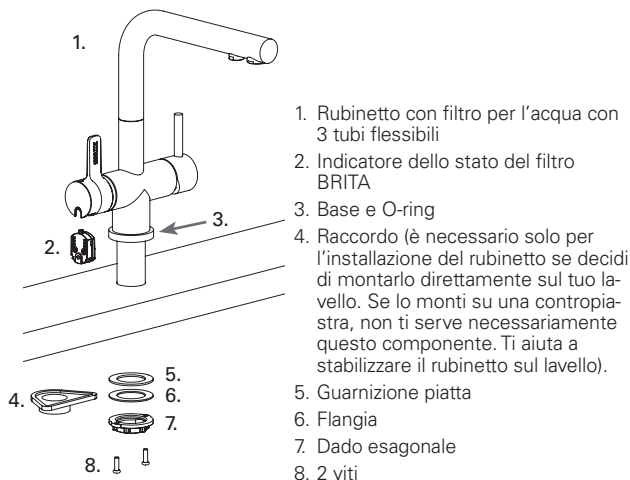


	1 LED	2 LED	3 LED
Impostazione durezza dell'acqua (HARDNESS)	C	B	A
Impostazione filtro (CARTRIDGE)	A 1000	P 1000	P 3000

Fase 3: Installazione del rubinetto a 3 vie con filtro per l'acqua

Per installare rubinetto a 3 vie con filtro per l'acqua, verifica per prima cosa di avere a disposizione tutti i componenti necessari.

! Verifica che ci sia uno spazio e un accesso sotto il livello sufficienti a consentire l'installazione della testa del filtro, del filtro e per collegare tutti i tubi flessibili.



Il design può essere diverso da quello visualizzato nella figura

Per prima cosa rimuovi il tuo rubinetto della cucina.

- a) Chiudi i rubinetti di erogazione dell'acqua fredda e calda
- b) Assicurati di eliminare qualsiasi pressione aprendo tutte le maniglie dei rubinetti.

! Non deve più uscire acqua dal rubinetto della cucina.

- c) Svita i tubi dai rubinetti di erogazione dell'acqua fredda e calda.



Consigliamo di posizionare sotto i rubinetti di erogazione dell'acqua un recipiente adatto, poiché l'acqua rimasta all'interno dei tubi potrebbe fuoriuscire quando li si svita.

- d) Svita il rubinetto della cucina: non ci sono istruzioni di smontaggio standard ma in generale è sufficiente una chiave regolabile per lo smontaggio.
- e) Estrai sia il rubinetto da cucina che i tubi flessibili.



Posiziona un recipiente adatto sotto l'erogazione dell'acqua. Apri l'erogazione di acqua per sciacquare abbondantemente i tubi prima dell'installazione del nuovo rubinetto. Fai attenzione all'erogazione di acqua calda.

- f) Inserisci il rubinetto a 3 vie nel foro da 35 mm. Verifica l'ordine corretto dei componenti. Verifica la posizione del rubinetto e stringi il dado, quindi le 2 viti aggiuntive (fig. 5, n. 7 e 8).

Fase 4: Installazione del sistema di filtrazione

Segui lo schema riportato di seguito (vedi fig. 6) ed esegui le fasi nell'ordine corretto.



Se non hai a disposizione un punto di erogazione di acqua fredda aggiuntivo da 3/8" per il rubinetto a 3 vie con filtro per l'acqua nella tua cucina, devi installare il raccordo a T fornito. Solo UK: Se l'erogatore dell'acqua non è compatibile con il connettore da 3/8", applicare l'adattatore fornito. Il kit di installazione viene fornito con due adattatori da 1/2".

Collegamento del raccordo a T

Collega il raccordo a T fornito al rubinetto d'arresto dell'acqua fredda. Verifica che la guarnizione pre-assemblata sia nella posizione corretta.

Collegamento dei tubi flessibili

Tutti i tubi flessibili sono dotati di guarnizioni pre-installate. Verifica che tutte le guarnizioni pre-assemblate siano presenti e installate correttamente.

A) 3 tubi flessibili dal filtro per rubinetto

- Collega il tubo flessibile con la striscia rossa nel rubinetto di erogazione dell'acqua calda.
- Collega il tubo flessibile con la striscia blu in un lato del raccordo a T.
- Collega il tubo flessibile grigio da 1.000 mm collegato al rubinetto con filtro all'uscita della testa del filtro etichettata con una freccia "OUT".

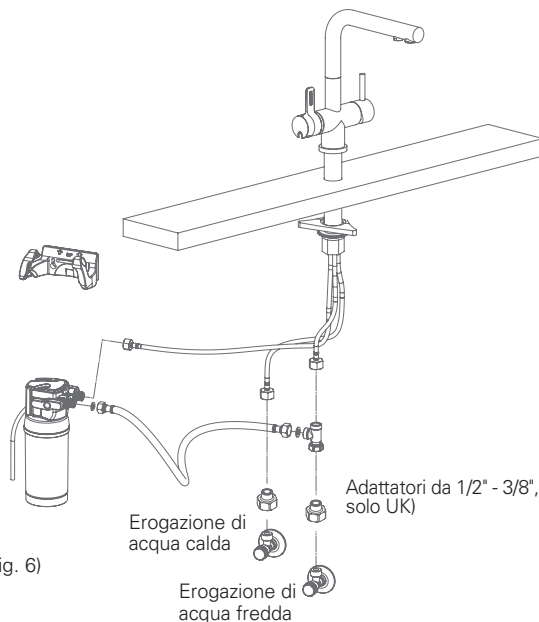
Anche in questo caso verifica che le guarnizioni sia posizionate correttamente!

B) Tubi separati forniti nel kit di installazione

- Prendi il tubo con due connettori. Collega un'estremità con il lato libero al raccordo a T.
- Collega l'altra estremità all'ingresso della testa del filtro. È indicato con un'etichetta "IN" (ingresso) e contrassegnato da una freccia.

Verifica che le guarnizioni sia posizionate correttamente!

Verifica che tutti i raccordi siano serrati correttamente. Evita il serraggio eccessivo.



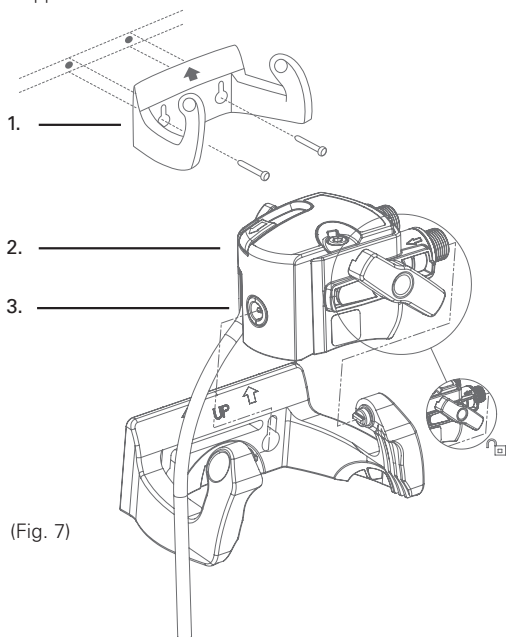
(Fig. 6)



La coppia di serraggio massima per i raccordi G 3/8" non deve superare i 14 Nm! È possibile utilizzare solo raccordi dei tubi flessibili con rondelle: tubi flessibili con raccordi a vite conica danneggiano i raccordi della testa del filtro e rendono nullo qualsiasi diritto alla garanzia.

Fase 5 (opzionale): fissaggio a parete salvaspazio per l'installazione del filtro sotto il lavello (vedi fig. 7)

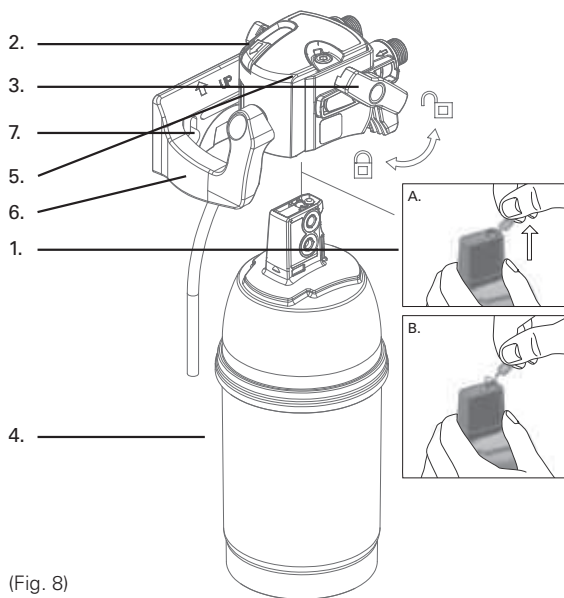
- A** Fissare il supporto a parete salvaspazio (1) in posizione utilizzando due viti e due tasselli adatti (non forniti), in base al tipo di parete. Posizionarlo in modo che sia accessibile e che la testa del filtro possa ruotare di 90° in modo da facilitare la sostituzione del filtro. L'altezza di installazione consigliata è 420 mm, in modo da poter sostituire facilmente in un secondo tempo un filtro P 1000 con un filtro di ricambio P 3000. L'altezza minima per A 1000/P 1000 è 270 mm. Verifica che i tubi flessibili siano lunghi a sufficienza per collegarsi alla testa del filtro una volta posizionato il supporto a parete.
- B** Installa la testa del filtro (2) nel supporto a parete (1) utilizzando le tacche (3) sui lati della testa del filtro per collegarlo ai bracci del supporto.



(Fig. 7)

Fase 6: inserimento del filtro (vedi fig. 8)

- A** Rimuovi il cappuccio protettivo rosso (1).
- B** Inserisci il filtro (4) in posizione verticale nella testa del filtro (5).
- C** Ruota la maniglia di bloccaggio (3) in direzione del segno di blocco illustrato sulla testa del filtro, fino a quando non si innesta.
- D** Installa la testa del filtro (5) nel supporto a parete (6). Utilizza i fori di fissaggio (7).



(Fig. 8)

! Il filtro può essere inserito solo quando la maniglia di bloccaggio (3) è aperta. Verifica che il filtro e gli O-ring siano posizionati correttamente.

! Durante l'assemblaggio, fare attenzione alle dimensioni di installazione, ai raggi di curvatura dei tubi flessibili e alle dimensioni degli accessori. Il sistema può funzionare con il filtro in posizione verticale oppure orizzontale. Utilizzando il supporto a parete, deve essere installato solo verticalmente, con la freccia "UP" sul supporto correttamente posizionata.

Fase 7: Prima messa in funzione

Prima dell'utilizzo, verifica di aver seguito correttamente tutte le fasi e che tutti i componenti siano installati. Posiziona un recipiente adatto sotto il filtro per raccogliere eventuali perdite.

- A Apri i rubinetti di erogazione dell'acqua fredda e di quella calda e verifica attentamente la presenza di eventuali perdite nel sistema.
- B Apri il rubinetto con filtro per l'acqua BRITA e fai scorrere l'acqua fino a quando l'acqua filtrata non è cristallina e priva di bollicine (almeno 1 litro).

Sostituzione del filtro

Se si raggiunge il massimo volume o il filtro è stato utilizzato per il tempo massimo a disposizione dalla messa in funzione, l'indicatore dello stato del filtro BRITA lampeggerà in rosso per ricordarti che è necessario sostituire il filtro. (La durata massima del filtro è indicata nella panoramica sui dati tecnici, vedi pagina 43)

! Prima di sostituire il filtro, leggi le informazioni su funzionamento e sicurezza (capitolo 9).

NOTA Il filtro può essere ruotato di 90° nel supporto a parete per una rimozione più semplice. Quando la maniglia di bloccaggio è aperta, l'erogazione di acqua al filtro è interrotta, senza la necessità di chiudere il rubinetto d'arresto.

Sostituzione del filtro (vedi fig. 8):

- A Apri la maniglia di bloccaggio (3).
- B Per rilasciare la pressione nel sistema, posiziona prima un recipiente adatto sotto il tubo di risciacquo per raccogliere l'eventuale fuoriuscita di acqua, quindi apri la valvola di scarico (2). Chiudi nuovamente la valvola di scarico (2).
- C Rimuovi il filtro esausto (4) dalla testa del filtro (5).
- D Inserisci il filtro nuovo (vedi fase 5, capitolo 2)
- E Chiudi la maniglia di bloccaggio (3)
- F Reimposta l'indicatore dello stato del filtro BRITA (vedi fase 2, capitolo 2)
- G Apri la manopola del rubinetto sull'erogatore BRITA e fai scorrere l'acqua fino a quando l'acqua filtrata non è cristallina e priva di bollicine (almeno 1 litro).

Attivazione dell'indicatore dello stato del filtro BRITA

- A Premi il pulsante Reset (vedi fig. 4) sull'indicatore dello stato del filtro BRITA per tre secondi finché non lampeggia il LED verde.
- B Il timer si avvia automaticamente.

Note importanti - Rischio di danneggiamento!

Verifica regolarmente la presenza di eventuali perdite nel sistema di filtrazione. Verifica regolarmente che i tubi flessibili non siano piegati. I tubi flessibili piegati devono essere sostituiti.

! Prima di sostituire il sistema di filtrazione, leggi i dati tecnici (capitolo 6) e le informazioni di funzionamento e sicurezza (capitolo 7).

Pulisci regolarmente la parte esterna del sistema di filtrazione con un panno morbido inumidito.

! Non usare prodotti chimici abrasivi, soluzioni detergenti o agenti di pulizia astringenti.

Si consiglia di pulire regolarmente il rubinetto e l'aeratore secondo necessità. Utilizza un detergente delicato e un panno in microfibra adatto per pulire la superficie del rubinetto. L'acqua di rubinetto non filtrata può causare accumuli di calcare attorno all'aeratore. La frequenza della pulizia dell'aeratore dipende dalla durezza dell'acqua. Per rimuovere efficacemente sporco e calcare svitare l'estremità del rubinetto e rimuovere il rompigetto.

Risoluzione dei problemi

A Nessun flusso di acqua

Causa: Ingresso dell'acqua chiuso.

Risoluzione del problema: Apri l'ingresso dell'acqua a monte della valvola di interruzione o chiudere la maniglia di bloccaggio (3) sulla testa del filtro (5).

B Flusso dell'acqua assente o scarso nonostante l'ingresso dell'acqua sia aperto

Causa: Pressione principale troppo bassa.

Risoluzione del problema: Verifica la pressione principale. Se il problema continua, verifica il sistema di filtrazione e il filtro e, se necessario, sostituiscili.

Causa: La testa del filtro non è montata nella direzione del flusso dell'acqua.

Risoluzione del problema: Smonta la testa del filtro e montala nella direzione del flusso dell'acqua (vedi fase 4, capitolo 2).

C Perdite

Causa: Raccordi non avvitati correttamente.

Risoluzione del problema: Verifica la pressione principale. Verifica che tutti i raccordi siano avvitati correttamente (vedi fase 4, capitolo 2).

D Nessuna indicazione LED durante l'utilizzo

Causa: La batteria non è inserita correttamente o è scarica.

Risoluzione del problema: Verifica che la batteria sia inserita correttamente. Se necessario, sostituisci la batteria. Verifica anche se la linguetta della batteria è stata rimossa.

6.1 Dati tecnici del filtro

Pressione operativa del filtro	P 1000 P 3000 A 1000	da 2 bar a max. 8,6 bar " da 0,1 MPa a max. 0,36 MPa
Temperatura di ingresso dell'acqua		4°C a 30°C
Temperatura ambiente per	funzionamento da	4°C a 40°C
	immagazzinaggio/ trasporto da	-20°C a 50°C
Posizione di funzionamento		Orizzontale e verticale
Raccordo di uscita per l'acqua		G3/8"
Capacità con durezza da carbonati fino a 10 °dH con impostazione "A"	P 1000	Fino a 1200 l
	P 3000	Fino a 3400 l
Capacità con durezza da carbonati da 10 a 17 °dH con impostazione "B"	P 1000	Fino a 600 l
	P 3000	Fino a 1700 l
Capacità con durezza da carbonati da 17 a 24 °dH con impostazione "C"	P 1000	Fino a 400 l
	P 3000	Fino a 1100 l
Capacità A 1000		Fino a 4.000 l/6 mesi
Perdita di pressione con flusso di funzionamento nominale	A 1000	0,2 – 1,4 bar
Peso (asciutto/bagnato)	P 1000	1 kg/1,6 kg
	P 3000	1,8 kg/2,8 kg
	A 1000	0,5 kg/1 kg

Dimensioni (Larghezza/Profondità/Altezza)	Sistema di filtrazione (testa del filtro con filtro)	P 1000	119/108/268 mm
		P 3000	117/104/419 mm
		A 1000	109/93/238 mm
	Filtro	P 1000	108 mm/108 mm/259 mm
		P 3000	104 mm/104 mm/410 mm
		A 1000	88/88/231 mm
	Dimensioni di installazione (installazione verticale con supporto a parete)	P 1000	137/130/268 mm
		P 3000	137/128/419 mm
		A 1000	137/120/238 mm
Performance del filtro	A 1000	Test di laboratorio indipendente*. Efficienza della riduzione di almeno il 97% delle seguenti sostanze, misurata su 4.000 l: cloro, bromoformio, bromodichlorometano, tetrachloroetene, dibromochlorometano, trichloroetilene	
Ritenzione delle particelle NSF 42	A 1000	Classe I (0,5 µm)	
Riduzione del cloro NSF 42	P 1000	Classe I (50%)	
	P 3000		
	A 1000		
Riduzione del cloro DIN EN 14898	P 1000	Classe I (> 90%)	
	P 3000		
	A 1000		Classe 1 (> 90%)

*Sulla base dei risultati dei test JIS S 3201 (Standard per le attività industriali giapponesi)

6.2 Dati tecnici del rubinetto con filtro per l'acqua a 3 vie

Pressione operativa	da 2 bar a max. 10 bar		
Raccordo acqua fredda	da 4°C a 30°C		
Raccordo acqua calda	max. 60°C		
Portata massima di acqua filtrata	3,5 l/min		
Portata massima di acqua non filtrata	7 l/min (rubinetto rettangolare) 8 l/min (rubinetto rotondo)		
Classe di rumorosità	Gruppo II/-		
	Peso	Dimensioni (Larghezza/Profondità/Altezza)	Aeratore
Rubinetto a 3 vie rettangolare	2,3 kg	18,1 cm / 26,1 cm / 29,0 cm	M24x1 M18x1 (non filtrata)
Rubinetto a 3 vie rotondo	2,3 kg	18,1 cm / 22,7 cm / 40,0 cm	M24x1, 8 l/min

! Il sistema non può essere installato con una caldaia a bassa pressione poiché può comportare anomalie nell'erogazione di acqua.

6.3 Volume scorrimento dopo inattività

Volume scorrimento dopo 2-3 giorni di inattività	Volume di scorrimento X
P 1000	2 litri
P 3000	3 litri
A 1000	1 litro
Volume di scorrimento dopo 4 settimane di inattività	Volume di scorrimento Y
P 1000	20 litri
P 3000	30 litri
A 1000	10 litri

Funzionamento e sicurezza

Proteggere il filtro dai raggi solari diretti e da eventuali danni meccanici.

Non assemblare vicino a fonti di calore e fiamme libere. È necessario installare una valvola di arresto a monte del tubo flessibile di ingresso del sistema di filtrazione. Il rubinetto a 3 vie BRITA è adatto solo ad un uso domestico. Utilizzare solo acqua potabile per alimentare il sistema di filtrazione BRITA.

I filtri per l'acqua BRITA sono adatti solo per l'utilizzo con acqua fredda, nell'intervallo di temperatura dell'acqua indicato nel capitolo 6. Non utilizzare acqua microbiologicamente impura o di qualità sconosciuta senza adeguata disinfezione.

Il sistema non può essere installato su caldaie a bassa pressione.

Indipendentemente dall'acqua usata, è consigliabile utilizzare utensili in acciaio inossidabile o bollitori con elementi riscaldanti in acciaio inossidabile. Ciò è particolarmente importante per le persone allergiche al nichel.

In caso di avviso delle autorità in merito all'acqua: prima filtrare, poi bollire

In caso di istruzioni da parte delle autorità in merito alla necessità di bollire l'acqua di rubinetto, è necessario interrompere l'utilizzo del sistema di filtrazione. Una volta cessato l'obbligo di bollire l'acqua, è necessario sostituire il filtro e pulire tutti i raccordi.

L'igiene è preziosa

- Per motivi igienici, il materiale filtrante del filtro P 1000/P 3000 è sottoposto a un trattamento speciale all'argento. Una piccola quantità di argento può essere trasferita nell'acqua. Questa eventualità è contemplata dalle direttive dell'Organizzazione Mondiale della Sanità (OMS).
- Generalmente, si raccomanda di bollire l'acqua di rubinetto per determinati gruppi di persone (ad es. persone con un sistema immunitario indebolito, bambini). Per questi gruppi, ciò si applica anche all'acqua filtrata.

Allo stesso modo dei rubinetti convenzionali, prima dell'uso sarebbe necessario far scorrere l'acqua per un breve periodo di tempo in modo da avere a disposizione l'acqua filtrata BRITA.

Utilizzo ottimale

- BRITA consiglia di non lasciare inutilizzato il sistema di filtrazione per un periodo di tempo lungo. Se il rubinetto a 3 vie BRITA non viene utilizzato per diversi giorni (2-3 giorni), si consiglia di risciacquare il sistema di filtrazione con il volume di scorrimento X indicato nella tabella a pagina 43. Dopo periodi di inattività superiori a 4 settimane, il filtro dovrebbe essere risciacquato con il volume di scorrimento Y indicato nella tabella a pagina 43. Ricordare anche che il periodo massimo di utilizzo del filtro 12 mesi, indipendentemente dall'effettivo volume di acqua utilizzato.
- L'acqua filtrata BRITA è destinata al consumo umano. Utilizzare entro 1-2 giorni.
- Il sistema di filtrazione non deve essere aperto o smontato durante il funzionamento. Il filtro non deve essere aperto.
- La testa del filtro del sistema di filtrazione è progettata per una vita utile di 5 anni a partire dalla data di installazione.

Sensibilità al potassio?

Il processo di filtrazione può causare un leggero aumento dei livelli di potassio. Tuttavia, un litro di acqua filtrata BRITA contiene una quantità di potassio inferiore a quella contenuta in una mela, ad esempio. Per le persone affette da patologie renali e/o che seguono una dieta specifica per il potassio, è consigliabile consultare il medico prima di utilizzare il filtro per l'acqua.

Tracce naturali

Poiché il filtro contiene carbone, derivato da carbone naturale, proprio per le caratteristiche naturali possono esserci delle variazioni che possono portare ad una leggera abrasione delle piccole particelle di carbone attivo nell'acqua filtrata, rilevabile in forma di corpuscoli neri. Queste particelle non hanno effetto dannoso per la salute. Se ingerite, sono eliminate naturalmente dall'organismo senza effetti per lo stesso. Qualora si notino particelle di carbone attivo nell'acqua filtrata, BRITA consiglia di risciacquare il filtro A 1000 facendo scorrere l'acqua di rubinetto filtrata fino a quando i depositi di particelle non vengono lavati via.

Esclusione di responsabilità

BRITA non è in nessun caso responsabile per danni di qualsiasi tipo, inclusi i danni consecutivi, derivanti dall'uso non corretto del prodotto.

Soddisfazione al 100%: la garanzia BRITA

BRITA è certa che i propri prodotti siano in grado di soddisfare le esigenze in termini di qualità e prestazioni. Se questo prodotto non soddisfa le tue aspettative, è possibile restituirlo entro 30 giorni dalla data di acquisto e sarà rimborsato il prezzo di acquisto. È sufficiente inviare il prodotto con la prova di acquisto (scontrino) e il motivo dell'insoddisfazione, il proprio numero di telefono e gli estremi bancari all'indirizzo del servizio clienti del proprio Paese (riportato sul retro del presente manuale).

Smaltimento corretto dell'indicatore dello stato del filtro BRITA

Ogni indicatore dello stato del filtro BRITA ha una vita utile di circa 5 anni. Al termine della durata di utilizzo dell'indicatore dello stato, ricordati di smaltirlo conformemente ai regolamenti e ai requisiti normativi vigenti.



Numero verde di assistenza BRITA

Hai domande sul tuo prodotto BRITA?

O riguardo alla filtrazione dell'acqua? Contattaci!

Puoi trovare le informazioni di contatto del team servizio clienti BRITA accanto al codice del tuo paese sul retro del presente manuale.

Il lato migliore dell'acqua: www.brita.net

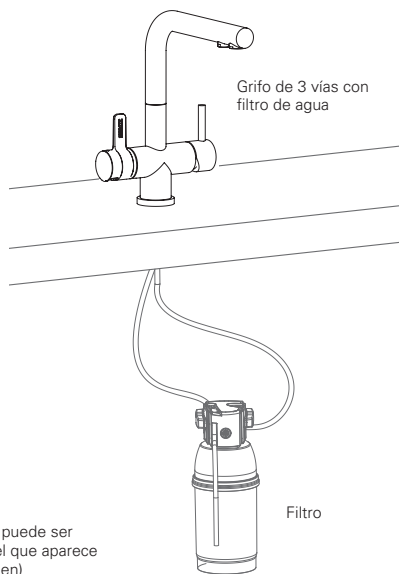
Stai cercando il rivenditore BRITA più vicino a te? Desideri informazioni più dettagliate sui prodotti BRITA? O informazioni sull'azienda BRITA?

Vuoi sfruttare al meglio una delle offerte di assistenza di BRITA? Informazioni aggiornate, consigli per i consumatori, concorsi stagionali e deliziose ricette per tè e caffè sono sempre disponibili sul sito www.brita.net.

Registrazione online del prodotto

Registra il tuo prodotto alla pagina www.register.brita.net per ottenere tutti i vantaggi.

I. Introducción



1 Agradecimientos

Gracias por elegir este grifo con filtro de agua BRITA. Para asegurarte de que disfrutas de todas las ventajas del agua BRITA de gran sabor, sigue cuidadosamente todas las instrucciones de instalación, funcionamiento y mantenimiento antes de instalarlo.

2 Componentes incluidos

El sistema de filtración mypure incluye lo siguiente (Consulta la fig. 1):

1. Cabezal del filtro con los siguientes ajustes ("A", "B", "C" y "O"), además de una cómoda asa de bloqueo
2. Soporte mural flexible para el cabezal del filtro
3. Cartucho filtrante de agua
4. Grifo de 3 vías para el agua filtrada (el diseño puede ser distinto del que aparece en la imagen)
5. Indicador del estado del filtro BRITA

6. Batería (CR 2032)
7. Manguera flexible para el sistema de filtración
8. Instrucciones de uso
9. Tira de análisis de la dureza del agua
10. Conector en forma de T
11. Válvula de limitación de presión (solo en Australia)
- 12.2 adaptadores de rosca interior 1/2" a rosca exterior 3/8" (solo en el Reino Unido)

Herramientas recomendadas para la instalación: una llave Allen hexagonal (4 mm), llave para tubos, llave ajustable para distintos destornilladores, cinta aislante opcional (para la válvula limitada con presión). Para el montaje mural del cartucho (opcional), necesitas dos tornillos (por ejemplo, de 5 mm) y dos tacos (si son necesarios). Usa los tornillos y los tacos apropiados para el tipo de pared en la zona debajo del fregadero.

3 Garantía

El sistema de filtración mypure está sujeto a la garantía legal de 2 años. Solo se puede ejercer la reclamación de garantía si se han seguido todas las instrucciones del manual.

Se anulará toda reclamación al amparo de la garantía si se determina que el mal funcionamiento se debe a una instalación defectuosa. La instalación debe hacerse siguiendo las instrucciones y todos los códigos y normas de fontanería pertinentes.



Antes de comenzar, revisa que tengas todos los componentes indicados anteriormente (ver fig. 1), así como las herramientas recomendadas. La instalación consta de 7 pasos.



La instalación del sistema de filtrado debe cumplir con los reglamentos y normas de fontanería estatales o locales pertinentes.

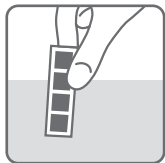
Antes de la instalación, lee los datos técnicos (capítulo 6) y la información de funcionamiento y seguridad. (Tras el almacenamiento y el transporte por debajo de 0°C, el producto debe almacenarse en el embalaje original abierto durante al menos 24 horas a las temperaturas ambiente indicadas (capítulo 6.1) para su funcionamiento). El sistema no puede instalarse con una caldera de baja presión.

II. Instalación en 7 sencillos pasos

Paso 1: Selección del ajuste adecuado en el cabezal del filtro

El cabezal del filtro está en "B" de manera predeterminada.

Para usarlo con el cartucho filtrante A 1000 incluido, necesitas cambiar el ajuste a "0". Usa una llave Allen de 4 mm (hexagonal) y gira la tuerca hexagonal en la dirección de la flecha de la ventana hasta que aparezca el "0". Consulta la imagen 2)



(Fig. 2)

Para usarlo con el cartucho filtrante P 1000, selecciona la dureza de carbonatos (A/B/C) en el cabezal del filtro.

El cabezal del filtro tiene tres ajustes posibles según la dureza del agua de la red: agua con dureza media (A), agua con dureza elevada (B) y agua con dureza muy elevada (C). Sigue las siguientes instrucciones para elegir el ajuste correcto para el agua local. Realiza primero una prueba de la dureza carbonatada usando la tira de test incluida.

Cómo usar la tira de test:

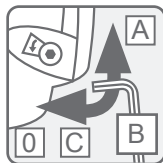
- Sumerge todas las zonas reactivas de la tira de test en un vaso con agua del grifo local (15-30 °C) durante 1 segundo (no con el agua corriendo) (fig. 2)
- Agita la tira para eliminar el exceso de líquido de la tira y, después de 1 minuto, comprueba cuántas zonas reactivas han cambiado de color en la tira.

Según el número de zonas reactivas que hayan cambiado de color, recomendamos configurar el cabezal del filtro de la siguiente manera:

Configuración	A	B	C
Número de zonas de reacción			

Ahora puedes cambiar el ajuste de la dureza del agua. Para cambiar el ajuste, usa una llave Allen (4 mm). Gira en la dirección de la flecha hasta que aparezca el símbolo "C" en la ventana. Para el ajuste A, gira en contra de la dirección de la flecha hasta que aparezca "A" en la ventana (fig. 3)

El cabezal del filtro incluye un regulador de caudal para ayudar a suavizar el flujo de agua incluso con una presión del agua alta.



(Fig. 3)

Paso 2: El indicador del estado del filtro BRITA

El indicador del estado del filtro BRITA te recuerda a través de tres luces diferentes colores intermitentes cuándo debes cambiar el cartucho filtrante.

A Puesta en marcha:

Retira la cinta de la batería (fig. 4) Todas las luces LED parpadearán brevemente. Cierra el compartimento. Mantén pulsado el botón Reset durante tres segundos, hasta que una pequeña luz verde parpadee tres veces en la parte superior (fig. 4).

B Programación inicial del indicador del estado del filtro BRITA:

Según la configuración que elijas para el cabezal del filtro (paso 1), deberás programar el indicador del estado del filtro BRITA de las siguientes maneras (ver fig. 5):

- a Pulsa el botón del lado izquierdo (CARTUCHO) para configurar el cartucho que estás usando. Si pulsas el botón una vez, parpadearán dos LED amarillos (ajusta predeterminado del cartucho: P 1000). A continuación, pulsa el botón hasta que aparezca el ajuste correcto para el cartucho filtrante:

Si estás usando el cartucho filtrante A 1000, pulsa el botón hasta que parpadee un LED amarillo.

Si estás usando el cartucho filtrante P 1000, pulsa el botón hasta que parpadeen dos LED amarillos.

Si estás usando el cartucho filtrante P 3000, pulsa el botón hasta que parpadeen tres LED amarillos (consulta la siguiente tabla).

- b Pulsa el botón del lado derecho (DUREZA) para elegir la dureza del agua. Si pulsas el botón una vez, parpadearán dos LED amarillos (ajuste predeterminado de la dureza: B). A continuación, pulsa el botón hasta que aparezca el ajuste de la dureza del agua correcto:

Para elegir el ajuste C de la dureza del agua, pulsa el botón hasta que parpadee un LED amarillo.

Para elegir el ajuste B de la dureza del agua, pulsa el botón hasta que parpadeen dos LED amarillos.

Para elegir el ajuste A de la dureza del agua, pulsa el botón hasta que parpadeen tres LED amarillos (consulta la siguiente tabla).

Al usar el sistema con el cartucho A1000, el ajuste para el nivel de dureza no resulta necesario y no repercutirá sobre la vida útil del cartucho.

- c Para cambiar el ajuste, solo tienes que pulsar el botón hasta que parpadee el número correcto de LED.
- d Introduce el indicador del estado del filtro BRITA en la palanca con la marca BRITA (consulta la fig. 5).

C Cómo funciona el indicador del estado del filtro BRITA

Para garantizar un rendimiento óptimo, deberás cambiar el cartucho filtrante de manera regular. El indicador del estado del filtro BRITA de la palanca BRITA te recuerda cuándo debes cambiar el filtro.

D Alarmas

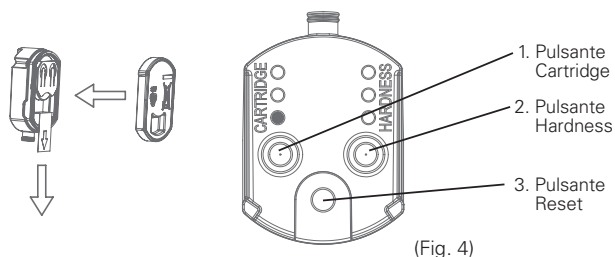
Las tres luces en la palanca BRITA se activan solo en la posición de filtrado. Esto es lo que indican:

- Luz verde: El filtro BRITA está funcionando a un rendimiento óptimo.
- Luz amarilla: Se ha utilizado el 90 % de la capacidad del filtro. Recuerda comprar un nuevo cartucho filtrante.
- Luz roja: Es necesario cambiar el cartucho filtrante.

Datos técnicos:

- Batería: 1x CR2032 (extraíble)
- Vida útil de la batería: aproximadamente 2 años

! No sumerjas el indicador del estado del filtro en agua.

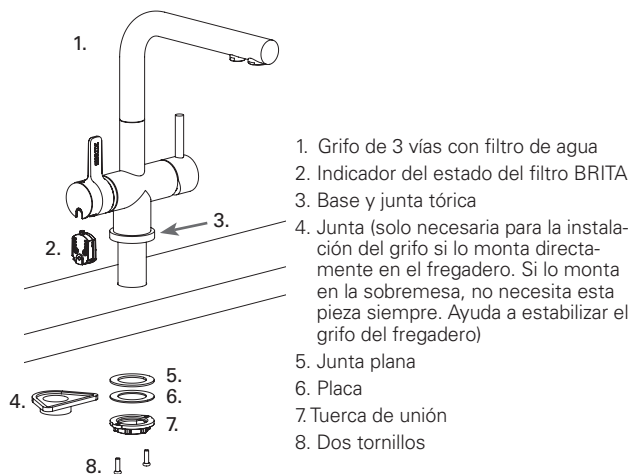


	1 LED	2 LEDs	3 LEDs
Ajuste de la dureza del agua (DUREZA)	C	B	A
Ajuste del cartucho (CARTUCHO)	A 1000	P 1000	P 3000

Paso 3: Instalar el filtro de agua del grifo con 3 mangueras

Para instalar el filtro de agua del grifo con 3 mangueras, primero asegúrate de contar con todos los componentes necesarios.

! Comprueba que hay suficiente espacio y acceso bajo el fregadero para permitir la instalación del cabezal del filtro y para conectar todas las mangueras.



El diseño puede ser distinto del que aparece en la imagen

En primer lugar, retira el grifo de la cocina existente.

- Corta el suministro de agua fría y caliente.
- Asegúrate de liberar la presión abriendo todas las llaves de tu grifo.

! Por el grifo de la cocina existente no debe pasar nada de agua.

- Desenrosca las mangueras existentes de los suministros de agua fría y caliente.



Recomendamos colocar un recipiente apropiado debajo del suministro de agua porque las mangueras contendrán algo de agua que saldrá cuando las desenrosques.

- d) Desatornilla el grifo de la cocina. No hay un montaje estándar, pero en general una llave para tubos te ayudará a desmontarlo.
- e) Retira el grifo de la cocina y las mangueras.



Asegúrate de colocar un recipiente apropiado debajo del suministro de agua. Abre el suministro de agua para enjuagar las tuberías antes de instalar el nuevo grifo. Ten cuidado con el suministro de agua caliente.

- f) Coloca el grifo de 3 vías en el agujero de 35 mm. Asegúrate de que los componentes estén en orden. Comprueba la posición del grifo y aprieta la tuerca de unión, luego los dos tornillos adicionales (fig. 5, n.º 7+8).

Paso 4: Instalar el sistema de filtración

Sigue las indicaciones del siguiente diagrama (fig. 6) para realizar los pasos en el orden correcto.



Si tienes una toma de agua fría adicional de 1/2" o de 3/8" para el grifo del filtro de 3 vías de tu cocina, no necesitas instalar la pieza en T suministrada. Si tu suministro de agua no se ajusta al conector de 3/8", utiliza el adaptador suministrado. Tu kit de instalación viene con dos adaptadores de 1/2"

Conecta el conector en forma de T

Conecta el conector en forma de T con la válvula angular del agua fría. Por favor, asegúrate de que la junta premontada está colocada justo en el interior.

Ajuste de las mangueras

Todas las mangueras cuentan con juntas preinstaladas. Asegúrate de que no falta ninguna junta y de que la junta premontada está correctamente colocada justo en el interior.

A) 3 mangueras del grifo de filtración

- Conecta la manguera con la raya roja con el suministro de agua caliente.
- Conecta la manguera con la raya azul en un lado del conector en forma de T.
- Conecta la manguera de 1000 mm gris que está conectada con el grifo de filtración con la salida del cabezal del filtro con una flecha "OUT"

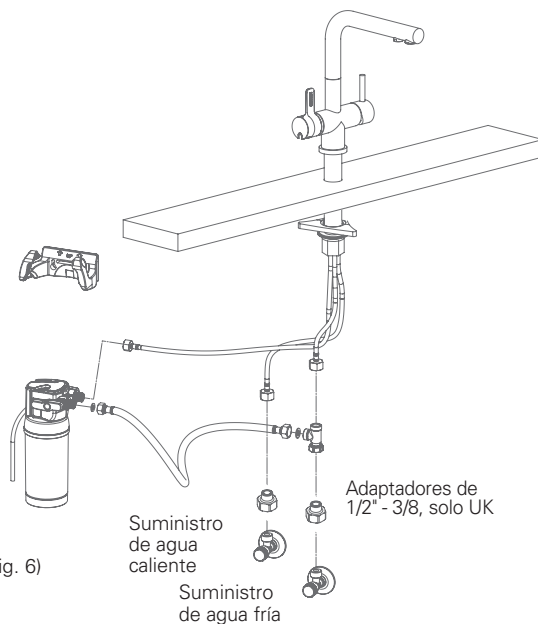
Asegúrate aquí también de que las juntas están bien apretadas.

B) Manguera separada del kit de instalación

- Toma la manguera con dos conectores. Conecta uno de los extremos con el lateral libre del conector en forma de T.
- Conecta el otro extremo con la entrada del cabezal del filtro. Tiene una etiqueta "IN" (entrada) y está marcada con una flecha.

Asegúrate de que las juntas están bien apretadas.

Asegúrate de que todas las conexiones están bien ajustadas. Evita apretarlas en exceso.

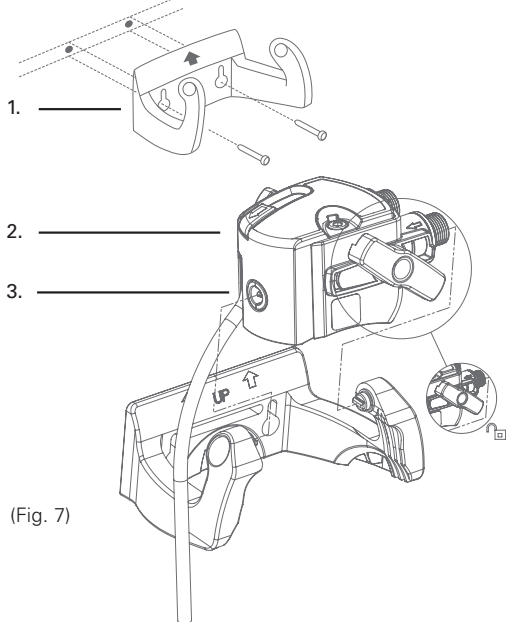


(Fig. 6)

El nivel de presión máximo al que debe apretarse las conexiones G 3/8" no debe superar los 14 Nm. Solo se pueden usar adaptadores de conexión con arandelas. Las mangueras con conexiones de tuerca cónica causarán daños en el cabezal del filtro e invalidarán cualquier reclamación de garantía.

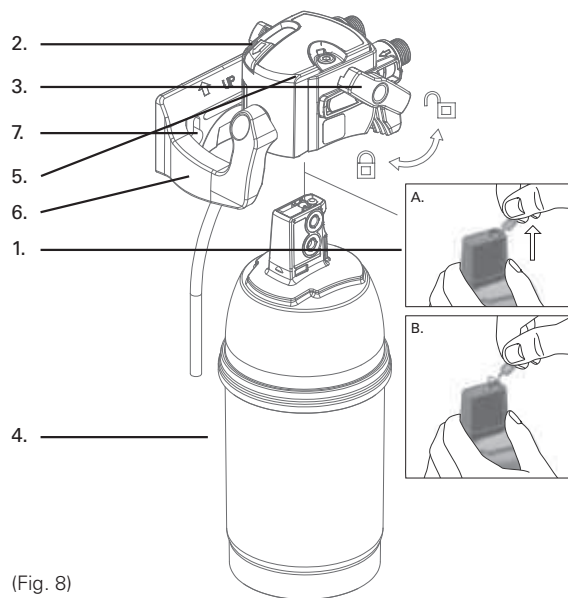
Paso 5 (opcional): Soporte mural para instalar el cartucho debajo del fregadero (consulta la fig.7)

- A Coloca el soporte mural (1) con dos tornillos a juego y usa dos tacos (no incluidos), dependiendo del tipo de muro. Colócalo en un lugar accesible que permita girar el cabezal 90° para cambiar el filtro fácilmente. La altura recomendada de la instalación es de 420 mm, para que posteriormente puedas cambiar fácilmente entre cartuchos P 1000 y P 3000. La altura mínima para A 1000/P1000 es de 270 mm. Asegúrate de que las mangueras son lo suficientemente largas para el cabezal al colocar el muro.
- B Coloca el cabezal del filtro (2) en el montaje mural (1) con las muescas (3) de los lados del cabezal del filtro para conectarlo con los brazos del soporte.



Paso 6: Insertar el cartucho filtrante (ver fig. 8)

- A Quita la tira protectora (1).
- B Introduce el cartucho filtrante (4) de manera vertical en el cabezal del filtro (5).
- C Gira el asa de bloqueo (3) hasta que haga clic.
- D Coloca el cabezal del filtro (5) en el montaje mural (6). Usa los agujeros de fijación (7).



! El cartucho filtrante solo se puede introducir cuando el asa de bloqueo (3) esté abierta. Asegúrate de que el cartucho filtrante está correctamente colocado, igual que las juntas tóricas.

! Durante la instalación, ten en cuenta las dimensiones una vez instalado, los radios de curvatura de las mangueras y las dimensiones de los accesorios. El sistema se puede utilizar con el cartucho filtrante en posición tanto vertical como horizontal. Con el soporte de pared, solo se debe instalar en posición vertical, con la flecha "UP" del soporte colocada correctamente.

Paso 7: Puesta en marcha

Antes de utilizarlo, asegúrate de haber seguido todos los pasos correctamente y de que todas las piezas estén montadas. Coloca un recipiente adecuado debajo del cartucho para recoger cualquier fuga.

- A. Abre los suministros de agua caliente y fría y comprueba con cuidado el sistema para detectar cualquier fuga.
- B. Abre la palanca BRITA del grifo y deja que corra el agua hasta que el agua filtrada salga limpia y sin burbujas (al menos 1 litro).

Sustitución del cartucho filtrante

Si se alcanza el volumen máximo o se usa el cartucho durante el número máximo de meses desde su instalación, el indicador de estado del cartucho BRITA parpadeará en rojo para recordarte que necesita cambiar el cartucho. (La vida de uso máxima para un cartucho aparece en el resumen de datos técnicos de la página 10)

! Lee la información de funcionamiento y seguridad (capítulo 9) antes de cambiar el filtro.

NOTA El cartucho filtrante puede girar 90° en el soporte mural para que retirarlo sea más sencillo. Cuando el asa de bloqueo esté abierta, el suministro de agua hasta el cartucho se interrumpe sin necesidad de cerrar la válvula angular.

Sustituir el cartucho filtrante (consulte la fig. 8):

- A Abre el asa de bloqueo (3).
- B Para liberar la presión del sistema, coloca primero un recipiente adecuado debajo del tubo de purga para recoger cualquier resto de agua y a continuación, abre la válvula de enjuague (2). Cierra la válvula de enjuague (2) de nuevo.
- C Retira el cartucho filtrante usado (4) del cabezal del filtro (5).
- D Introduce el nuevo cartucho filtrante (consulta el paso 5, capítulo 2)
- E Cierra el asa de bloqueo (3)
- F Reinicia el indicador de estado del filtro BRITA (consulta el paso 2, capítulo 2)
- G Abre la palanca BRITA del grifo y deja correr el agua filtrada hasta que salga limpia y sin burbujas (al menos 1 litro).

Activar el indicador del estado del filtro BRITA

- A Pulsa el botón Reset (consulta la fig. 4) del indicador del estado del filtro BRITA durante tres segundos hasta que la luz LED parpadee en verde.
- B El contador se inicia de manera automática.

Notas importante: ¡riesgo de daños!

Comprueba con frecuencia que no hay ningún goteo en el sistema de filtración. Comprueba con frecuencia las mangueras para ver si aparecen deformaciones. Las mangueras deformadas deben sustituirse.

! Antes de cambiar el sistema de filtración, consulta los datos técnicos (capítulo 6) y la Información sobre funcionamiento y seguridad (capítulo 7).

Limpia con frecuencia la parte exterior del sistema de filtración con un paño húmedo y suave.

! No utilices soluciones de limpieza o productos químicos abrasivos ni agentes de limpieza cáusticos.

Se recomienda limpiar con frecuencia el grifo y el aireador según se necesite. Usa un jabón suave y un paño de microfibra adecuado para limpiar la superficie del grifo, sobre todo porque la cal del agua no filtrada puede acumularse alrededor del aireador. La frecuencia con que debes limpiar el aireador depende de la dureza del agua. Para eliminar la suciedad y la cal de manera eficiente, desenrosca la tuerca de unión y retira el aireador.

Resolución de problemas

A No hay flujo de agua

Causa: Entrada de agua cerrada.
Resolución: Abre la entrada de agua por la válvula de cierre o cierra el asa de bloqueo (3) en el cabezal del filtro (5).

B A pesar de haber abierto la entrada de agua, no hay flujo de agua o este es mínimo

Causa: La presión del suministro principal es demasiado baja.
Resolución: Comprueba la presión del suministro principal. Si el fallo continúa, comprueba el sistema de filtración y el cartucho filtrante y sustitúyelos si resulta necesario.
Causa: El cabezal del filtro no está montado en la dirección del flujo de agua.
Resolución: Desmonta el cabezal del filtro e instálalo en la dirección del flujo de agua (consulta el paso 4, capítulo 2).

C Fugas

Causa: Las tuercas de las conexiones no están acopladas correctamente.
Resolución: Comprueba la presión del suministro principal. Comprueba todas las conexiones con tuercas según las instrucciones (consulta paso 4, capítulo 2).

D El LED no indica el uso

Causa: La batería no está correctamente introducida o se ha agotado.
Resolución: Comprueba que la batería está introducida correctamente. Si resulta necesario, cambia la batería. Comprueba también que la lengüeta de plástico se ha retirado.

6.1 Datos técnicos de los cartuchos filtrantes

Presión de funcionamiento de los cartuchos filtrantes	P 1000 P 3000 A 1000	2 bar hasta un máximo de 8,6 bar 1 MPa hasta un máximo de 0,36 MPa
Temperatura de entrada de agua	4°C a 30°C	
Temperatura ambiente de funcionamiento	Funcionamiento	4°C a 40°C
	Almacenamiento/ transporte	-20°C a 50°C
Posición de funcionamiento	horizontal y vertical	
Conexión de salida de agua	G3/8"	
Capacidad con dureza de carbonatos hasta 10 °dH en ajuste "A"	P 1000	1200 l
	P 3000	3400 l
Capacidad con dureza de carbonatos de 10 hasta 17 °dH en ajuste "B"	P 1000	600 l
	P 3000	1700 l
Capacidad con dureza de carbonatos de 17 hasta 24 °dH en ajuste "C"	P 1000	400 l
	P 3000	1100 l
Capacidad A 1000	Hasta 4.000 l/6 meses	
Pérdida de presión por flujo de servicio nominal	A 1000	0,2 – 1,4 bar
Peso (seco/mojado)	P 1000	1 kg/1,6 kg
	P 3000	1,8 kg/2,8 kg
	A 1000	0,5 kg/1 kg

Dimensiones (ancho/largo/alto)	Sistema de filtración (cabezal del filtro con cartucho filtrante)	P 1000	119/108/268 mm
		P 3000	117/104/419 mm
		A 1000	109/93/238 mm
	Cartucho filtrante	P 1000	108 mm/108 mm/259 mm
		P 3000	104 mm/104 mm/410 mm
		A 1000	88/88/231 mm
	Dimensiones una vez instalado (instalación vertical con soporte mural)	P 1000	137/130/268 mm
		P 3000	137/128/419 mm
		A 1000	137/120/238 mm
Rendimiento del filtro	A 1000	Prueba de laboratorio independiente* Eficiencia de reducción de al menos el 97% de las siguientes sustancias medido en 4.000 l. Cloro, bromoformo, bromodichlorometano, tetracloroetano, dibromoclorometano, tricloroetileno	
Retención de partículas NSF 42	A 1000	Clase I (0,5 µm)	
Reducción del cloro NSF 42	P 1000	Clase I (50 %)	
	P 3000		
	A 1000	Clase I (50 %)	
Reducción del cloro DIN EN 14898	P 1000	Clase I (> 90%)	
	P 3000		
	A 1000	Clase 1 (> 90%)	

*Basado en los resultados de las pruebas de la norma JIS S 3201 (Norma para la actividades industriales)

6.2 Datos técnicos del filtro de agua del grifo con 3 mangueras

Presión de funcionamiento	0,5 bar hasta un máximo de 10 bar		
Conexión de agua fría	4°C hasta 30°C		
Conexión de agua templada	máx. 60°C		
Velocidad de flujo del agua filtrada	3,5 l/min		
Velocidad de flujo del agua sin filtrar	7 l/min (grifo rectangular) 8 l/min (grifo redondo)		
Velocidad acústica	Grupo II/-		
	Peso	Imensiones (ancho/largo/alto)	Aireador
Grifo con 3 entradas rectangular	2,3 kg	18,1 cm / 26,1 cm / 29,0 cm	M24x1 M18x1 (sin filtrar)
Grifo con 3 entradas redondo	2,3 kg	18,1 cm / 22,7 cm / 40,0 cm	M24x1, 8 l/min

! El sistema no se puede instalar con una caldera de baja presión, pues podría causar daños con el agua.

6.3 Volumen de enjuague después de un periodo de inactividad

Volumen de enjuague después de una inactividad de 2-3 días	Volumen de enjuague X
P 1000	2 litros
P 3000	3 litros
A 1000	1 litro
Volumen de enjuague tras 4 días de inactividad	Volumen de enjuague Y
P 1000	20 litros
P 3000	30 litros
A 1000	10 litros

Funcionamiento y seguridad

Protege el cartucho filtrante de agua mypure de la luz directa del sol y los daños mecánicos.

No lo instales cerca de fuentes de calor. Debes instalar una válvula de cierre antes de la manguera de entrada del sistema de filtración. Se debe instalar un reductor de presión en la parte frontal del grifo y el sistema de filtración. El grifo con 3 entradas de BRITA solo es apto para uso doméstico. Solo se debe usar agua potable con el sistema de filtro de agua BRITA.

El cartucho filtrante de agua BRITA solo es apto para usar con agua fría, dentro de los límites de temperatura del agua especificados en el capítulo 6. No se debe usar agua microbiológicamente deteriorada ni agua cuya calidad se desconoce sin un proceso de desinfección previo.

El sistema no puede instalarse con una caldera de baja presión.

Con independencia del agua que utilice, debes emplear utensilios de acero inoxidable o hervidores con elementos calentadores de acero inoxidable. Esto resulta especialmente importante para las personas que son sensibles al níquel.

Si existe una alerta oficial sobre el agua: primero filtrar y después hervir.

Si existe una alerta oficial sobre el agua: primero filtrar y después hervir.

Si existen instrucciones de algún organismo oficial de hervir el agua del grifo, el sistema de filtración se debe retirar del servicio. Cuando finalice el requisito de hervir el agua, se deben reemplazar todos los cartuchos filtrantes y se deben limpiar a fondo todas las conexiones.

La higiene ante todo

- Por motivos de higiene, el material filtrante del cartucho P 1000/ P 3000 se somete a un tratamiento especial con plata. Una cantidad muy reducida de plata podría transferirse al agua. Esta cantidad transferida entraría dentro de las directrices de la Organización Mundial de la Salud (OMS).
- Suele ser recomendable hervir el agua del grifo si la van a consumir determinados grupos de personas (por ejemplo, personas con un sistema inmunitario más débil o bebés). Esta recomendación también se aplica al agua filtrada.

Al igual que con los grifos convencionales, antes de utilizar debes dejar correr el agua por un tiempo breve para que puedas disfrutar al máximo de tu agua filtrada BRITA.

Uso óptimo

- BRITA recomienda que el sistema de filtración no se deje sin usar durante un periodo de tiempo prolongado. Si el filtro de agua del grifo de 3 vías de BRITA no se usa durante varios días (2-3 días), recomendamos que el sistema de filtración se enjuague con el volumen de enjuague X indicado en la tabla de la página 11. Después de periodos de inactividad de unas 4 semanas, el filtro se debe enjuagar con un volumen de enjuague Y, como aparece en la página 11. Ten también en cuenta que el periodo de uso máximo del cartucho filtrante es de 12 meses, sin importar el volumen real usado.
- El agua filtrada BRITA es apta para el consumo humano. Úsala en un periodo de 1-2 días.
- No se debe abrir o desmontar el sistema de filtración durante su funcionamiento. El cartucho filtrante no se debe abrir.
- El cabezal del filtro del sistema de filtración está diseñado para una vida útil de 5 años a partir de la fecha de instalación.

¿Sensible al potasio?

El proceso de filtrado puede causar un pequeño aumento del nivel de potasio. No obstante, un litro de agua filtrada BRITA contiene menos potasio que una manzana, por ejemplo. Si padeces alguna enfermedad renal y/o debes seguir una dieta con un contenido controlado de potasio, recomendamos que consultes con tu médico antes de utilizar el sistema filtrante.

Restos naturales

Dado que el cartucho filtrante contiene carbono, derivado del carbón natural, como ocurre con dicha materia natural, puede haber variaciones y esto puede conducir a una ligera abrasión de pequeñas partículas de carbono en el agua filtrada, visible como polvo negro. Estas partículas no tienen efectos negativos sobre la salud. Su ingesta no tiene repercusiones sobre el cuerpo humano. Si observas partículas de carbono en el agua filtrada, BRITA recomienda enjuagar el cartucho filtrante A 1000 haciendo funcionar el grifo del filtro hasta que los depósitos de partículas desaparezcan.

Exclusión de responsabilidad

BRITA no se hará responsable de ningún daño resultante del uso indebido del producto, incluidos daños posteriores.

100% de satisfacción: la garantía BRITA

Estamos convencidos de que este producto BRITA satisface tus exigencias de calidad y rendimiento. Si este producto no cumple con tus expectativas, aceptaremos su devolución en los 30 días posteriores a la fecha de compra y te reembolsaremos el precio de compra. Simplemente envía el producto con su comprobante de compra (recibo) y el motivo de tu falta de satisfacción, tu número de teléfono y datos bancarios a la dirección de servicio de atención al cliente de tu país (que encontrarás en el reverso de este folleto).

Reciclado BRITA: por nuestro medioambiente

Para trabajar juntos y asumir la responsabilidad del cuidado de nuestro medioambiente, puedes devolver tus cartuchos filtrantes P 1000 a varios distribuidores BRITA. Más sobre BRITA: Para obtener más detalles sobre el reciclaje, consulta www.brita.net.

Desear correctamente el indicador del estado del filtro BRITA

Todos los indicadores del estado del filtro BRITA tienen una vida útil de aproximadamente 5 años. Recuerda que, cuando el indicador de estado llegue al final de su periodo de uso, deberás desecharlo siguiendo las normativas y disposiciones legales vigentes.



El servicio de atención al cliente de BRITA se preocupa por ti

¿Tienes alguna pregunta sobre el producto BRITA?
¿O sobre el tema de la filtración de agua? ¡Llámanos!

Encontrarás los datos de contacto del servicio de atención al cliente de BRITA al lado del código de tu país, en el reverso de este manual.

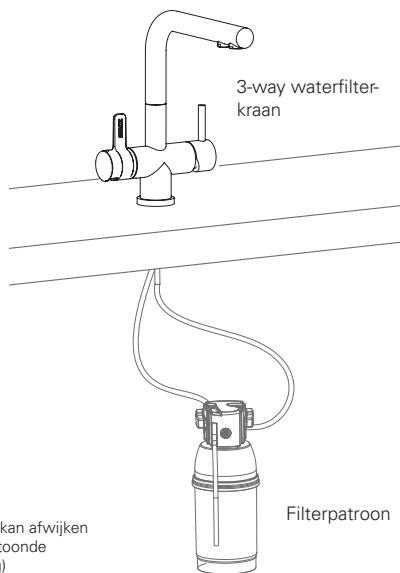
Lo mejor del agua: www.brita.net

¿Buscas tu distribuidor BRITA más próximo? ¿Deseas más información sobre los productos BRITA? ¿Y sobre la empresa BRITA?

¿Deseas aprovechar al máximo alguna de las ofertas de servicios de BRITA? En www.brita.net encontrarás información actualizada, consejos para los usuarios finales, concursos de temporada y deliciosas recetas de té y café.

Registro del producto en Internet

Registra tu producto y disfruta de ventajas en www.register.brita.net.



(Ontwerp kan afwijken van de getoonde afbeelding)

1 Hartelijk dank

Hartelijk dank dat u voor deze BRITA filterkraan hebt gekozen. Om ervoor te zorgen dat u van alle voordelen van direct beschikbaar en heerlijk BRITA gefilterd water kunt genieten, leest u het best de instructies voor installatie, gebruik en onderhoud zorgvuldig door, voordat u het installeert.

2 Bijgesloten onderdelen

Uw mypure filtratiesysteem omvat het volgende (zie afb. 1):

1. Filterkop met de volgende instellingen ("A", "B", "C" en "O") inclusief een handige vergrendelhandgreep
2. Flexibele wandhouder voor de filterkop
3. Filterpatroon
4. 3-way waterfilterkraan (ontwerp kan afwijken van de getoonde afbeelding)
5. BRITA statusindicator filterpatroon

6. Batterij (CR 2032)
7. Flexibele slang naar filtersysteem
8. Instructies voor gebruik
9. Teststrip voor carbonaathardheid van water
10. T-stuk
11. Drukbeperkingsventiel (alleen in Australië)
12. 2 Adapter 1/2" binnenschroefdraad naar 3/8" buitenschroefdraad (alleen in het VK)

Aanbevolen installatiegereedschap: één inbussleutel (4 mm), een pijptang met verstelbare steeksleutel of een 19 mm en 26 mm steeksleutel, een schroevendraaier, optioneel afdichtingstape (voor drukbeperkingsventiel). Voor wandmontage van het patroon (optioneel) hebt u nodig: twee schroeven (bijv. 5 mm dikte) en twee muurpluggen (indien noodzakelijk).

Gebruik geschikte schroeven en muurpluggen voor het type muur in het kastje onder de gootsteen.

3 Garantie

Voor het mypure filtersysteem geldt de wettelijke garantietermijn van 2 jaar. Er kan alleen een garantieclaim worden gemaakt als alle instructies in dit handboek worden opgevolgd en nageleefd.

Een garantieclaim is niet geldig als wordt vastgesteld dat onjuiste installatie heeft bijgedragen aan de storing. De installatie moet worden uitgevoerd in navolging van de instructies en alle relevante afspraken en richtlijnen voor loodgieterij.

Controleer voordat u begint of u alle componenten zoals hierboven vermeld (zie afb. 1) en het aanbevolen gereedschap hebt.

Er zijn 7 stappen voor de installatie.



Installatie van het filtersysteem dient in overeenstemming te zijn met de relevante landelijke en lokale voorschriften en normen voor sanitair.



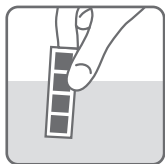
Lees vóór het installeren de technische gegevens (hoofdstuk 6) en de gebruiks- en veiligheidsinformatie. (Na opslag en vervoer bij een temperatuur lager dan 0 °C moet het product gedurende ten minste 24 uur in de originele geopende verpakking worden bewaard bij de opgegeven omgevingstemperatuur (zie hoofdstuk 6.1) voor de werking.) Het systeem kan niet worden geïnstalleerd met een lagedrukboiler.

II. Eenvoudige installatie in 7 stappen

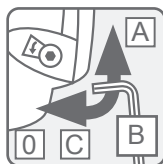
Stap 1: De juiste instelling op de filterkop selecteren

De filterkop is standaard ingesteld op "B".

Voor gebruik met de meegeleverde A 1000 filterpatroon moet u de instelling in het venster wijzigen in "0". Gebruik een 4mm inbus-sleutel (zeskant dopsleutel) en draai de zeskantmoer in de richting van de pijl in het venster totdat de "0" verschijnt. Zie afb. 2)



(fig. 2)



(fig. 3)





Voor gebruik met de meegeleverde P 1000 filterpatroon selecteert u de instelling voor carbonaathardheid (A/B/C) op de filterkop.

De filterkop biedt drie instellingen voor middelhard water (A), hard water (B) en zeer hard water (C). Volg de onderstaande instructies om de juiste instelling voor uw lokale water aan te passen. Voer eerst een test voor carbonaathardheid uit met de meegeleverde teststrip.

De teststrip gebruiken:

- Dompel alle reactiezones van de teststrip 1 seconde onder in een glas gewoon kraanwater (15 - 30 °C) (niet in stromend water!) (afb. 2).
- Schud overtollige vloeistof van de strip en controleer na 1 minuut bij hoeveel reactiezones de kleur op de teststrip is veranderd.

Afhankelijk van het aantal reactiezones dat van kleur is veranderd, raden we aan om uw filterkop als volgt in te stellen:

Setting	A	B	C
aantal reactiezones dat van kleur is veranderd			
			

Nu kunt u de instelling van de hardheid van uw water wijzigen. Gebruik een inbus-sleutel (4 mm) om de instelling te wijzigen. Draai in de richting van de pijl totdat het symbool "C" in het venster verschijnt. Draai tegen de richting van de pijl in totdat het symbool "A" in het venster verschijnt (afb. 3).

De filterkop bevat een reeds geïnstalleerde doorstromingsregelaar. Het garandeert een vloeiende waterstroom, zelfs bij hogere waterdrukken.

Stap 2: De BRITA statusindicator starten

De BRITA statusindicator herinnert u door middel van drie verschillende gekleurde knipperende lampjes wanneer u het filterpatroon moet vervangen.

A Ingebruikname:

Verwijder de batterijstrip (afb. 4). Alle leds moeten kort knipperen. Sluit het keukenkastje. Houd de reset-knop drie seconden ingedrukt totdat een klein groen lampje bovenaan driemaal knippert (afb. 4).

B Eerste programmering van de BRITA statusindicator:

Afhankelijk van de instelling die u hebt gekozen voor de filterkop (stap 1), programmeert u de BRITA statusindicator als volgt (zie afb. 5):

- Druk op de knop aan de linkerkant (PATROON) om het patroon dat u gebruikt in te stellen. Als u eenmaal op de knop drukt, knipperen twee gele leds (standaard instelling voor patroon: P 1000). Druk vervolgens op de knop totdat de juiste instelling van het filterpatroon verschijnt:

Als u het filterpatroon A 1000 gebruikt, drukt u op de knop totdat een gele led knippert.

Als u het filterpatroon P 1000 gebruikt, drukt u op de knop totdat twee gele leds knipperen.

Als u het filterpatroon P 3000 gebruikt, drukt u op de knop totdat drie gele leds knipperen (zie onderstaande tabel).

- Druk op de knop aan de rechterkant (HARDHEID) om de waterhardheid te kiezen. Als u eenmaal op de knop drukt, knipperen twee gele leds (standaard instelling voor hardheid: B). Druk vervolgens op de knop totdat uw juiste instelling voor waterhardheid verschijnt:

Om de instelling voor waterhardheid C te kiezen, drukt u op de knop totdat een gele led knippert.

Om de instelling voor waterhardheid B te kiezen, drukt u op de knop totdat twee gele leds knipperen.

Om de instelling van de waterhardheid A te kiezen, drukt u op de knop totdat meer dan drie gele leds knipperen (zie onderstaande tabel).

Bij gebruik van het systeem met het A1000 patroon is het instellen van het hardheidsniveau niet nodig en heeft dit geen invloed op de levensduur van het patroon.

- Om een instelling te wijzigen, drukt u gewoon op de knop totdat het juiste aantal lampjes knippert.
- Steek de BRITA statusindicator in de BRITA merkhandel (zie afb. 5).

C Hoe de BRITA statusindicator werkt

Om optimale prestaties te garanderen moet u regelmatig het filterpatroon verwisselen. De BRITA statusindicator in de BRITA hendel geeft aan wanneer u het filterpatroon moet vervangen.

D Signalen

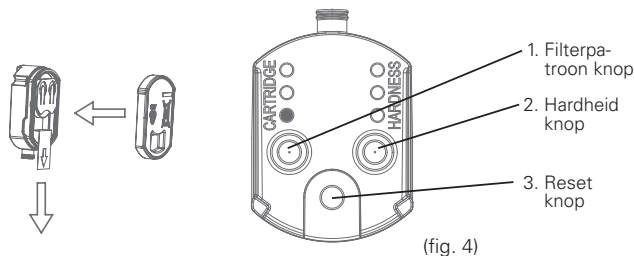
De drie lampjes in de BRITA hendel worden alleen geactiveerd in de filterpositie. Ze geven het volgende aan:

- Groen lampje: de BRITA filter werkt met optimale prestatie.
- Geel lampje: 90% van de filtercapaciteit is gebruikt. Vergeet niet om een nieuw vervangend filterpatroon te kopen.
- Rood lampje: Het filterpatroon moet worden vervangen.

Technische gegevens:

- Batterij: 1x CR2032 (verwijderbaar)
- levensduur van de batterij: ongeveer 2 jaar

! Dompel de statusindicator niet onder in water.

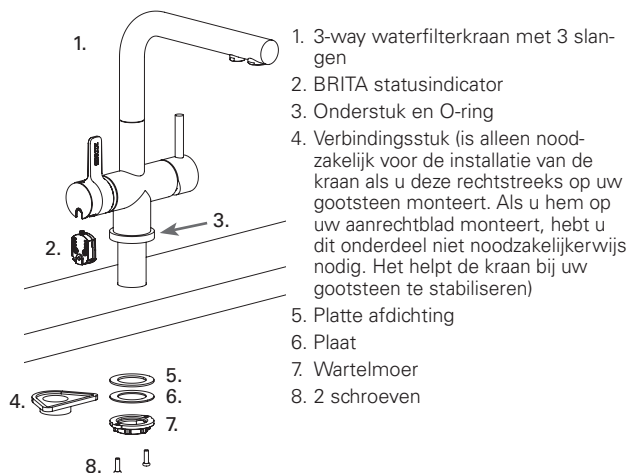


	1 LED	2 LEDs	3 LEDs
instelling van de waterhardheid (HARDHEID)	C	B	A
instelling van het patroon (PATROON)	A 1000	P 1000	P 3000

Stap 3: De 3-way waterfilterkraan installeren

Om de 3-way waterfilterkraan te installeren, moet u eerst zorgen dat u over alle benodigde componenten beschikt.

! Zorg ervoor dat er voldoende ruimte en toegang onder de gootsteen is om de installatie van de filterkop en het filterpatroon mogelijk te maken en om alle slangen aan te sluiten.



(fig. 5) Ontwerp kan afwijken van de getoonde afbeelding

Verwijder als eerste uw bestaande keukenkraan.

- Schakel de koud- en warmwatervoorziening uit.
- Zorg ervoor dat u alle druk laat ontsnappen door alle hendels te openen.

! Er mag geen water door de bestaande keukenkraan lopen.

- Schroef de bestaande slangen van de koud- en warmwatervoorziening los.



We raden aan om een geschikte bak onder de watervoorziening te plaatsen, aangezien er water in de slangen achterblijft dat eruit loopt als u ze losschroeft.

- d) Schroef uw keukenkraan los. Er is geen standaardmontage, maar over het algemeen zal een pijpsleutel u van pas komen om de keukenkraan te demonteren.
- e) Trek zowel uw keukenkraan als de slangen uit het aanrechtblad.



Zorg ervoor dat er een geschikte bak onder de watervoorziening staat. Open de watervoorziening om de leidingen grondig te spoelen vóór de installatie van de nieuwe kraan. Wees voorzichtig met de warmwatervoorziening.

- f) Plaats uw 3-way filterkraan in het gat van 35 mm. Zorg voor de juiste volgorde van de componenten. Controleer de positie van de kraan en bevestig de wartelmoer en vervolgens de 2 extra schroeven (afb. 5, nr. 7 + 8).

Stap 4: Installeer het filtersysteem

Volg het onderstaande diagram (zie afb. 6) en voer de stappen in de juiste volgorde uit.



Als u een extra 1/2" of 3/8" koudwatervoorziening voor de 3-way filterkraan in uw keuken hebt, hoeft u het meegeleverde T-stuk niet te installeren. Als uw watervoorziening niet op de 3/8" aansluiting past, gebruik dan de meegeleverde adapter. Uw installatiekit bevat twee 1/2" adapters.

Sluit het T-stuk aan

Sluit het bijgeleverde T-stuk aan op het hoekventiel van de koudwatervoorziening. Zorg ervoor dat de voorgemonteerde afdichting correct binnenin is geplaatst.

De slangen aansluiten

Alle slangen hebben vooraf geïnstalleerde afdichtingen. Zorg ervoor dat er geen afdichting ontbreekt en dat de voorgemonteerde afdichting correct binnenin is geplaatst.

A) 3 slangen van de filterkraan

- Sluit de slang met de rode streep aan op uw warmwatervoorziening.
- Sluit de slang met de blauwe streep aan op een zijde van het T-stuk.

- Sluit de grijze slang van 1.000 mm die is aangesloten op de filterkraan aan op de uitloop van de filterkop, gemarkeerd met een "OUT" pijl.

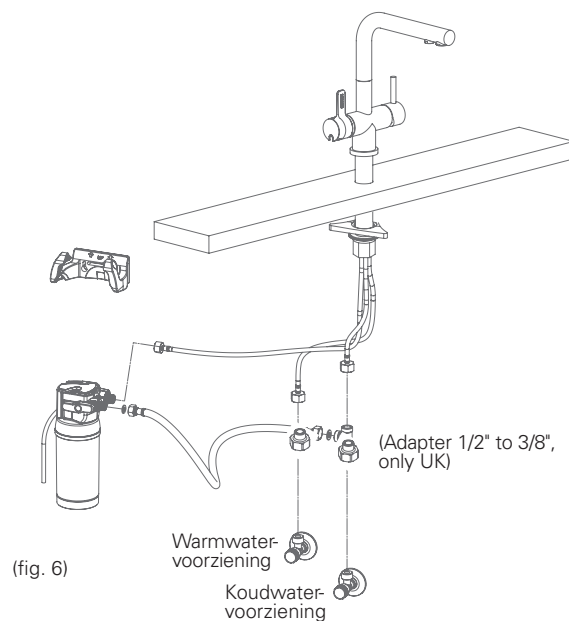
Zorg ervoor dat ook hier de afdichtingen correct op hun plaats zitten!

B) Afzonderlijke slang meegeleverd in de installatieset

- Pak de slang met twee aansluitingen. Sluit het ene uiteinde aan op de vrije zijde van het T-stuk.
- Sluit het andere uiteinde aan op de waterinlaat van de filterkop. Dit is gelabeld met "IN" (waterinlaat) en gemarkeerd met een pijl.

Zorg ervoor dat de afdichtingen correct op hun plaats zitten!

Zorg ervoor dat alle aansluitingen goed zijn vastgedraaid. Vermijd te strak vastdraaien.

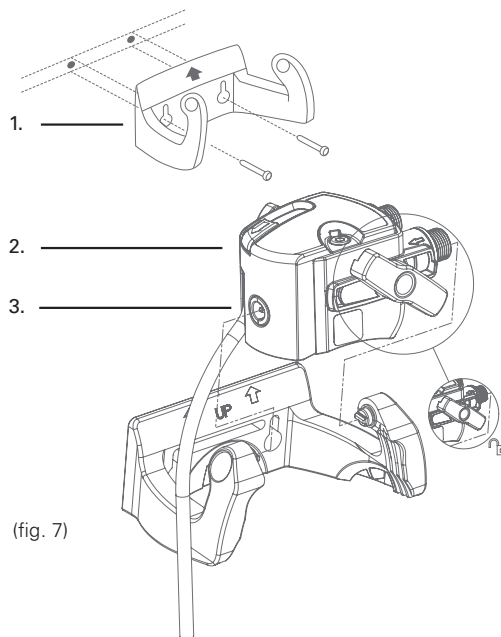


(fig. 6)

! Het maximale draaimoment voor de G 3/8" aansluitingen mag niet hoger zijn dan 14 Nm! Er mogen alleen slangaan- sluitingen met dichtingen worden gebruikt. Slangen met conische schroefverbindingen beschadigen de aansluitingen van de filterkop en maken garantieclaims ongeldig.

Stap 5 (optioneel): Ruimtebesparende wandbe- vestiging om het patroon onder de gootsteen te installeren (zie afb. 7)

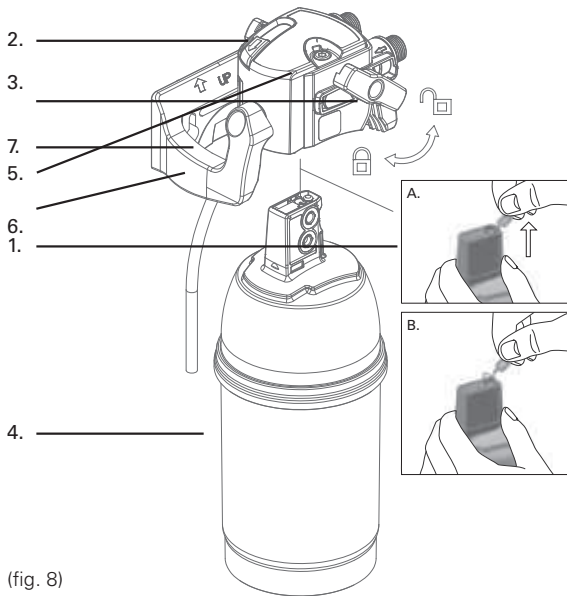
- A Bevestig de ruimtebesparende wandhouder (1) op zijn plaats met twee bijpassende schroeven en gebruik twee muurpluggen (niet meegeleverd), afhankelijk van het type muur. Plaats het op een toegankelijke plaats om de kop 90° te kunnen draaien, zodat de filter gemakkelijk kan worden vervangen. De aanbevolen instal- latiehoogte is 420 mm, zodat u later gemakkelijk kunt wisselen tussen filterpatroon P 1000 en P 3000. De minimale hoogte voor A 1000/P 1000 is 270 mm. Zorg ervoor dat de slangen lang genoeg zijn zodat ze op de filterkop passen bij het plaatsen van de wandhouder.
- B Bevestig de filterkop (2) in de wandbevestiging (1) met behulp van de uitsparingen (3) aan de zijkanten van de filterkop voor bevestiging aan de armen van de houder.



(fig. 7)

Stap 6: Het filterpatroon plaatsen (zie afb. 8)

- A Verwijder de beschermende lus (1).
- B Plaats het filterpatroon (4) verticaal in de filterkop (5).
- C Draai de vergrendelhandgreep (3) totdat deze klikt.
- D Plaats de filterkop (5) in de wandbevestiging (6). Gebruik de bevestigingsgaten (7).



(fig. 8)



Het filterpatroon kan alleen worden geplaatst als de vergrendelhandgreep (3) open is. Zorg ervoor dat het filterpatroon correct is geplaatst en dat alle O-ringen correct zijn geplaatst.



Houd bij de montage rekening met de installatieafmetingen, buigradius van de slangen en afmetingen van de accessoires. Het systeem kan worden gebruikt met het filterpatroon in de verticale of horizontale positie. Met behulp van de bevestigingsbeugel mag deze alleen verticaal worden geïnstalleerd, met de "UP" pijl op de beugel correct gepositioneerd.

Stap 7: Ingebruikname

Zorg er vóór het gebruik voor dat u alle stappen correct hebt gevolgd en dat alle onderdelen zijn gemonteerd. Plaats een geschikte opvangbak onder het patroon om eventuele lekkages op te vangen.

- A Zet de koud- en warmwatervoorziening aan en controleer het systeem zorgvuldig op eventuele lekken.
- B Open de BRITA waterfilterkraan en laat het water lopen tot het gefilterde water helder en zonder luchtballen stroomt (minimaal 1 liter).

Het filterpatroon vervangen

Als het maximale volume is bereikt of als het patroon gedurende het maximale aantal maanden na ingebruikname is gebruikt, knippert de BRITA statusindicator rood om u eraan te herinneren dat het patroon moet worden vervangen. (De maximale levensduur van het patroon in maanden staat vermeld in het overzicht met technische gegevens, zie pagina 10)



Lees de gebruiks- en veiligheidsinformatie (hoofdstuk 9) voordat u het filter vervangt.



Het filterpatroon kan in de wandhouder 90 worden gedraaid voor het eenvoudig verwijderen. Wanneer de vergrendelhandgreep open is, wordt de watervoorziening naar het patroon onderbroken, zonder dat het hoekventiel hoeft te worden uitgeschakeld.

Het filterpatroon vervangen (zie afb. 8):

- A Open de vergrendelhandgreep (3).
- B Om de druk in het systeem te laten ontsnappen, plaatst u eerst een geschikte opvangbak onder de spoel slang om water op te vangen en opent u vervolgens het spoelventiel (2). Sluit het spoelventiel (2) weer.
- C Verwijder de uitgeputte filterpatroon (4) uit de filterkop (5).
- D Plaats de nieuwe filterpatroon (zie stap 6, hoofdstuk 2).
- E Sluit de vergrendelhandgreep (3).
- F Reset de BRITA statusindicator (zie stap 2, hoofdstuk 2).
- G Open de BRITA merkhendel op uw BRITA kraan en spoel door tot het gefilterde water helder en zonder luchtballen loopt (minimaal 1 liter).

De BRITA statusindicator activeren

- A Druk de reset-knop (zie afb. 4) van de BRITA statusindicator drie seconden in tot het ledlampje groen knippert.
- B De timer start automatisch.

Belangrijke opmerkingen - Risico op schade!

Controleer het filtersysteem regelmatig op lekkages. Controleer de slangen regelmatig op knikken. Geknikte slangen moeten worden vervangen.

! Lees voordat u het filtersysteem vervangt de technische gegevens (hoofdstuk 6) en de gebruiks- en veiligheidsinformatie (hoofdstuk 7).

Maak de buitenzijde van het filtersysteem regelmatig schoon met een zachte, vochtige doek.

! Gebruik geen schurende chemicaliën of schoonmaakmiddelen of agressieve reinigers.

Het wordt aanbevolen om de kraan en de beluchter regelmatig schoon te maken en zo vaak als nodig is. Gebruik een mild reinigingsmiddel en een geschikt microvezeldoekje om het oppervlak van de kraan te reinigen. Vooral bij het tappen van ongefilterd water kan zich rond de beluchter kalkaanslag opbouwen. De reinigingsfrequentie van de beluchter is afhankelijk van de waterhardheid. Om vuil en kalkaanslag degelijk te verwijderen, draait u de wartelmoer vast en verwijdert u de perlator.

Problemen oplossen

A Geen waterstroom

- Oorzaak: Watertoevoer gesloten.
- Problemen oplossen: Open de watertoevoer bij de afsluitkraan stroomopwaarts of door de vergrendelhandgreep (3) op de filterkop (5) te sluiten.

B Geen of lage waterstroom ondanks de open watertoevoer

- Oorzaak: Netdruk is te laag.
- Problemen oplossen: Controleer de netdruk. Als de fout aanhoudt, controleer dan de kraan en het filterpatroon en vervang indien dit noodzakelijk is.
- Oorzaak: Filterkop niet gemonteerd in de richting van de waterstroom.
- Problemen oplossen: Demonteer de filterkop en installeer deze in de richting van de waterstroom (zie stap 4, hoofdstuk 2).

C Lekkage

- Oorzaak: Schroefverbindingen niet correct gemonteerd.
- Problemen oplossen: Controleer de netdruk. Controleer alle schroefverbindingen (zie stap 4, hoofdstuk 2).

D Geen led-indicatie door gebruik

- Oorzaak: Batterij is niet correct geplaatst of is leeg.
- Problemen oplossen: Controleer of de batterij correct is geplaatst. Vervang indien noodzakelijk de batterij. Controleer ook dat het plastic tabje is verwijderd.

6.1 Technische gegevens van de filterpatronen

Filterpatroon gebruiksdruk		P 1000 P 3000 A 1000	2 bar tot maximaal 8,6 bar 1 MPa tot maximaal 0,36 MPa
Temperatuur van binnenkomend water		4°C tot 30°C	
Omgevings- temperatuur voorgebruik	operation	4°C tot 40°C	
	storage/transport	-20°C tot 50°C	
Operating position		Opslag/transport	
Aansluiting afvoer		G3/8"	
Capaciteit van carbonaat- hardheid tot 10 °dH bij stand "A"	P 1000	1200 L	
	P 3000	3400 L	
Capaciteit van carbonaat- hardheid 10 tot 17 °dH bij stand "B"	P 1000	600 L	
	P 3000	1700 L	
Capaciteit van carbonaat- hardheid 17 tot 24 °dH bij stand "C"	P 1000	400 L	
	P 3000	1100 L	
Capaciteit A 1000		Tot 4.000 liter/6 maanden	
Drukverlies door nominale servicestroom		A 1000	0,2 – 1,4 bar
Gewicht (droog/nat)	P 1000	1 kg/1,6 kg	
	P 3000	1,8 kg/2,8 kg	
	A 1000	0,5 kg/1 kg	
Afmetingen (breedte/diepte/ hoogte)	Filter- systeem (filterkop met filter- patroon)	P 1000	119/108/268 mm
		P 3000	117/104/419 mm
		A 1000	109/93/238 mm
	Filterpa- troon	P 1000	108 mm/108 mm/259 mm
		P 3000	104 mm/104 mm/410 mm
		A 1000	88/88/231 mm
	Afmetin- gen geïn- stalleerd (verticale montage met wand- houder)	P 1000	137/130/268 mm
		P 3000	137/128/419 mm
		A 1000	137/120/238 mm

Filtercapaciteit	A 1000	Onafhankelijke laborato- riumtest* vermindering efficiëntie bij ten minste 97% van de volgende stof- fen, gemeten bij 4.000 L. chloor bromoform, broom- dichloormethaan, tetrachloorethyleen, dibroomchloormethaan, trichloorethyleen
Houdt deeltjes tegen NSF 42	A 1000	Klasse I (0,5 µm)
Chloorreductie NSF 42	P 1000	Klasse I (50 %)
	P 3000	
	A 1000	Klasse I (50 %)
Chloorreductie DIN EN 14898	P 1000	Klasse I (> 90%)
	P 3000	
	A 1000	Klasse I (> 90%)

* Gebaseerd op JIS S 3201-testresultaten (Japanse industriële normen)

6.2 Technische gegevens van de 3-weg waterfilterkraan

Bedrijfsdruk	0,5 bar tot maximaal 10 bar		
Koudwateraansluiting	4°C tot 30°C		
Warmwateraansluiting	max. 70°C		
Doorstroomvolume gefilterd water	3,5 L/min		
Doorstroomvolume ongefilderd water	7 L/min (rechthoekige kraan) 8 L/min (ronde kraan)		
Akoestiekbeoordeling	Groep II/-		
	Gewicht	Afmetingen (breedte/ diepte/hogte)	Beluchter
3-weg kraan rechthoek	2,3 kg	18,1 cm / 26,1 cm / 29,0 cm	M24x1 M18x1 (ongefil- terd)
3-weg kraan rond	2,3 kg	18,1 cm / 22,7 cm / 40,0 cm	M24x1, 8 L/min

! Het systeem kan niet worden geïnstalleerd met een lagedrukboiler, omdat dit tot waterschade kan leiden.

6.3 Spoelvolume na stilstand

Spoelvolume na 2-3 dagen stilstand	Spoelvolume X
P 1000	2 liter
P 3000	3 liter
A 1000	1 liter
Spoelvolume na 4 weken stilstand	Spoelvolume Y
P 1000	20 liter
P 3000	30 liter
A 1000	10 liter

VII. Belangrijke opmerkingen

Gebruik en veiligheid

Bescherm het mypure waterfilterpatroon tegen direct zonlicht en mechanische beschadiging.

Niet monteren in de buurt van warmtebronnen en open vuur. Vóór de toevoerslang van het filtersysteem moet een afsluitventiel worden geïnstalleerd. Voor de kraan en het filtersysteem moet een drukregelaar worden geïnstalleerd. De BRITA 3-weg kraan is alleen geschikt voor huishoudelijk gebruik. Alleen water van drinkwaterkwaliteit mag worden gebruikt voor het BRITA waterfiltersysteem.

Het BRITA waterfilterpatroon is alleen geschikt voor gebruik met koud water binnen de opgegeven watertemperatuur in hoofdstuk 6. Water dat niet bacterievrij is of waarvan de kwaliteit onbekend is, mag niet worden gebruikt zonder behoorlijk te zijn gedesinfecteerd. Het systeem kan niet worden geïnstalleerd met een lagedrukboiler. Ongeacht het gebruikte water moet u roestvrijstalen keukengerei of waterkokers met roestvrijstalen verwarmingselementen gebruiken. Dit is met name belangrijk voor mensen die gevoelig zijn voor nikkel.

Bij een officieel wateralarm geldt: eerst filteren en dan koken

Als er officiële instructies zijn om kraanwater te koken, moet het filtersysteem buiten gebruik worden gesteld. Wanneer het water niet langer verplicht moet worden gekookt, moet het filterpatroon worden vervangen en moeten de aansluitingen worden gereinigd.

Hygiëne is goud waard

- Om hygiënische redenen wordt het filtermateriaal van patroon P 1000/P 3000 onderworpen aan een speciale behandeling met zilver. Hierdoor is het mogelijk dat een geringe hoeveelheid zilver wordt afgegeven aan het water. Deze hoeveelheid voldoet aan de richtlijnen van de Wereldgezondheidsorganisatie (WHO).
- Algemeen wordt aanbevolen om kraanwater te koken voor bepaalde groepen mensen (zoals mensen met een zwak immuunsysteem, baby's). Voor dergelijke groepen geldt dit ook voor gefilterd water.

Net als bij de conventionele kranen, moet u vóór gebruik het water een korte tijd door laten spoelen, zodat u kunt genieten van uw BRITA gefilterd water.

Optimaal gebruik

- BRITA raadt aan het filtersysteem niet gedurende lange tijd ongebruikt te laten. Als de BRITA 3-wegkraan meerdere dagen (2-3 dagen) niet wordt gebruikt, raden we aan om het filtersysteem te spoelen met spoelvolumen X dat wordt aangegeven in de tabel op pagina 11. Na een periode van stilstand van meer dan 4 weken moet de filter worden gespoeld met spoelvolumen Y, zie pagina 11. Houd er ook rekening mee dat de maximale gebruiksperiode van het filterpatroon 12 maanden is, ongeacht het daadwerkelijke gebruikte volume.
- BRITA gefilterd water is bedoeld voor consumptie. Gebruik het binnen 1-2 dagen.
- Tijdens gebruik mag het filtersysteem niet worden opengemaakt of ontmanteld. Het filterpatroon mag niet worden opengemaakt.
- De filterkop van het filtersysteem is ontworpen voor een levensduur van 5 jaar, gerekend vanaf de installatiedatum.

Gevoelig voor kalium?

Het filterproces kan een kleine stijging van het kaliumgehalte veroorzaken. Eén liter BRITA gefilterd water bevat echter minder kalium dan bijvoorbeeld een appel. Als u lijdt aan een nieraandoening en/of een speciaal kaliumarm dieet moet volgen, raden we u aan om uw arts te raadplegen voordat u het waterfilter gebruikt.

Natuurlijke sporen

Aangezien het filterpatroon koolstof bevat, afkomstig van natuurlijke houtskool, kunnen er, zoals vaker het geval is met natuurlijke materialen, variaties zijn en dit kan leiden tot een lichte afslijting van kleine koolstofdeeltjes in uw gefilterd water, wat merkbaar is als zwarte korreltjes. Deze deeltjes zijn niet schadelijk voor uw gezondheid. Als u een deeltje inslikt, zal uw lichaam het deeltje niet afbreken en via natuurlijke weg uitscheiden. Als u koolstofdeeltjes in het gefilterde water ziet, raadt BRITA aan het A 1000 filterpatroon door te spoelen door de filterkraan te laten lopen totdat de afzetting van deeltjes is uitgespoeld.

Uitsluiting van aansprakelijkheid

BRITA is niet aansprakelijk voor welke schade dan ook, inclusief ver-
volg schade wegens onjuist gebruik van het product.

100% tevreden: de BRITA garantie

We zijn ervan overtuigd dat dit BRITA product voldoet aan uw eisen
op het gebied van kwaliteit en prestatie. Als dit product niet aan uw
verwachtingen voldoet, zullen we de retournering ervan binnen 30
dagen na aankoop accepteren en de aankoopprijs vergoeden. Stuur
het product met uw ontvangstbewijs en de reden voor uw ontevren-
denheid, uw telefoonnummer en bankgegevens naar het adres van
de klantenservice voor uw land (te vinden op de achterkant van dit
boekje).

BRITA recycling: Voor ons milieu

Om samen te werken bij het nemen van verant-
woordelijkheid voor ons milieu, kunt u uw P 1000
filterpatronen retourneren bij een aantal BRITA
dealers. Voor informatie over recycling, gaat u naar
www.brita.net.



Correcte afvoer van de BRITA statusindicator

Elke BRITA statusindicator heeft een levensduur
van ongeveer 5 jaar. Houd er bij het einde van de
levensduur van de statusindicator rekening mee
dat deze conform de hiervoor geldende milieu-
voorschriften moet worden afgevoerd.



De BRITA servicelijn staat voor u klaar

Heeft u vragen over uw BRITA product?

Of over het onderwerp waterfiltratie? Bel ons!

U vindt de contactgegevens voor uw BRITA klantenserviceteam naast
uw landcode op de achterkant van dit boekje.

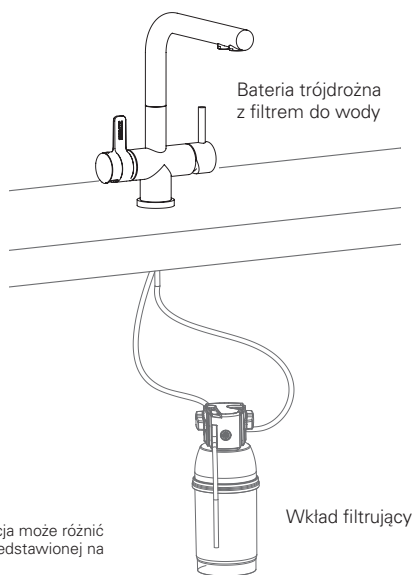
De beste kant van water: www.brita.net

Bent u op zoek naar uw dichtstbijzijnde BRITA winkel? Wilt u meer
gedetailleerde informatie over BRITA producten? Of over het bedrijf
BRITA?

Wilt u optimaal profiteren van een van de serviceaanbiedingen van
BRITA? Actuele informatie, consumententips, wedstrijden, heerlijke
koffie- en theecepten vindt u 24 uur per dag op www.brita.net

Uw product online registreren

Registreer uw product en ontvang extra voordeel op
www.register.brita.net



(Konstrukcja może różnić się od przedstawionej na rysunku)

1 Dziękujemy

Dziękujemy za wybór kranu filtrującego BRITA. Aby długo i w pełni cieszyć się z korzyści płynących z nowego systemu filtrującego BRITA, prosimy o ścisłe przestrzeganie instrukcji montażu, a następnie obsługi i serwisowania.

2 Elementy systemu

System filtrujący MyPure zawiera następujące elementy (patrz rys. 1):

1. Głowica filtra o następujących ustawieniach: „A”, „B”, „C” i „O” z wygodnym uchwytem blokującym
2. Elastyczny uchwyt do montażu głowicy filtra na ścianie
3. Wkład filtrujący
4. Bateria trójdrożna z filtrem do wody (konstrukcja może różnić się od przedstawionej na rysunku)
5. Wskaźnik wymiany wkładu BRITA

6. Bateria (CR 2032)
7. Elastyczny wąż podłączany do systemu filtrującego
8. Instrukcja użytkowania
9. Pasek do pomiaru twardości wody
10. Trójnik
11. Zawór do ograniczania ciśnienia (tylko w Australii)
12. 2 przejściówki gwintu wewnętrznego 1/2" na gwint zewnętrzny 3/8" (tylko w Wielkiej Brytanii)

Zalecane narzędzia do montażu: jeden sześciokątny klucz imbusowy (4 mm), regulowany klucz nastawny lub klucz do nakrętek o rozstawie 19 mm i 26 mm, śrubokręt, opcjonalnie taśma uszczelniająca (do zaworu ograniczonego ciśnienia). W celu przymocowania wkładu na ścianie (opcjonalnie) potrzebne będą: dwa wkręty (np. 5 mm) i dwa kołki (w razie potrzeby).

Prosimy stosować wkręty i kołki odpowiednie do rodzaju ściany pod zlewem.

3 Gwarancja

Na system filtrujący MyPure udziela się 2-letniej gwarancji ustawowej. Roszczenia gwarancyjne można dochodzić, gdy wszystkie instrukcje zawarte w niniejszym podręczniku są przestrzegane i wykonywane.

Wszelkie roszczenia gwarancyjne ulegają unieważnieniu w przypadku stwierdzenia, że przyczyną nieprawidłowego działania jest wadliwa instalacja. Instalację należy przeprowadzić zgodnie z instrukcją oraz wszystkimi odpowiednimi kodeksami i normami hydraulicznymi.

Przed rozpoczęciem instalacji prosimy o sprawdzenie dostępności wszystkich wymienionych powyżej elementów (patrz rys. 1), jak również rekomendowanych narzędzi.

Instalacja obejmuje 7 kroków



Instalacja systemu filtrującego musi być przeprowadzona zgodnie z odpowiednimi krajowymi i lokalnymi przepisami i normami w zakresie hydrauliki.

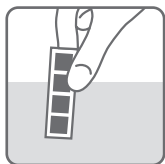


Przed rozpoczęciem instalacji zapoznaj się z Danymi Technicznymi (rozdział 6) oraz informacjami dotyczącymi obsługi i bezpieczeństwa. (Po przechowywaniu i transporcie w temperaturze poniżej 0°C produkt musi być przechowywany w otwartym oryginalnym opakowaniu przez co najmniej 24 godziny w podanych temperaturach otoczenia (rozdział 6.1).) System nie może być instalowany z kotłem niskociśnieniowym.

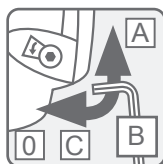
II. Łatwa instalacja w 7 krokach

Krok 1: Wybór ustawienia twardości węglanowej na głowicy filtra

Głowica filtra jest domyślnie ustawiona na „B”. Aby można było używać jej wraz z dostarczonym **wkładem filtrującym A 1000**, ustawienie w okienku na głowicy należy zmienić na „0”. Używając klucza imbusowego o szerokości 4mm (sześciokątny klucz nasadowy), obracaj nakrętkę sześciokątną w kierunku wskazanym przez strzałkę, aż w okienku pojawi się „0”. (Patrz rys. 2)



(rys. 2)



(rys. 3)

Ustawienie twardości węglanowej (A/B/C) na głowicy filtra w celu używania jej wraz z wkładem **filtrującym P 1000**.

Na głowicy możliwe są trzy ustawienia: dla wody średnietwardej (A), twardej (B) i bardzo twardej (C). Wybierz właściwe ustawienie twardości wody, postępując zgodnie z poniższymi wskazówkami. Najpierw przeprowadź test twardości wody za pomocą dostarczonego paska testowego.

Używanie paska testowego:

- Zanurz wszystkie strefy reakcji paska testowego w szklance z wodą kranową (15 – 30°C) na 1 sekundę (nie wkładaj go pod bieżącą wodę!) (rys. 2).
- Strząśnij nadmiar cieczy z paska i po 1 minucie sprawdź, ile stref reakcji na pasku zmieniło kolor.

Zalecamy wybranie następującego ustawienia na głowicy filtra w zależności od liczby stref reakcji, które zmieniły kolor:

Ustawienia	A	B	C
Ilość stref reakcji, które zmieniły kolor	■ □ □ □ □ ■ ■ □ □ □	■ ■ ■ ■ □	■ ■ ■ ■ ■

W tym momencie można zmienić na głowicy ustawienie twardości wody. W tym celu należy użyć klucza imbusowego (4 mm).

Obracaj go w kierunku wskazanym strzałką do momentu, aż w okienku pojawi się symbol „C”. Obracaj w kierunku przeciwnym do wskazanego strzałką do momentu, aż w okienku pojawi się symbol „A” (rys. 3).

Głowica filtra posiada już zainstalowany regulator przepływu. Gwarantuje on płynny przepływ wody nawet przy wyższym ciśnieniu.

Krok 2: Uruchamianie wskaźnika wymiany wkładu BRITA

Wskaźnik wymiany wkładu BRITA przypomina o konieczności wymiany wkładu filtrującego za pomocą trzech migających lampek o różnych kolorach.

A Uruchomienie:

Wyjmij pasek zabezpieczający baterię (rys. 4). Wszystkie diody powinny migać przez chwilę. Zamknij komorę. Wciśnij przycisk Reset i przytrzymaj go przez trzy sekundy do momentu, aż mała zielona lampka na górze zamiga trzy razy (rys. 4).

B Początkowe programowanie wskaźnika wymiany wkładu BRITA:

W zależności od ustawienia wybranego dla głowicy filtra (krok 1), wskaźnik wymiany wkładu BRITA należy zaprogramować w następujący sposób (patrz rys. 5):

- Wciśnij przycisk znajdujący się po lewej stronie (CARTRIDGE), aby ustawić używany wkład. Jednokrotne wciśnięcie tego przycisku sprawi, że zamigają dwie żółte diody (domyślnie ustawiony wkład: P 1000) Następnie wciskaj przycisk do momentu, aż pojawi się właściwe ustawienie dla wkładu filtrującego:

W przypadku używania wkładu filtrującego A 1000 przycisk należy wciskać do momentu, aż zaczną migać jedna żółta dioda.

W przypadku używania wkładu filtrującego P 1000 przycisk należy wciskać do momentu, aż zaczną migać dwie żółte diody.

W przypadku używania wkładu filtrującego P 3000 przycisk należy wciskać do momentu, aż zaczną migać trzy żółte diody (patrz poniższa tabela).

- Wciśnij przycisk po prawej stronie (HARDNESS), aby wybrać twardość wody. Jednokrotne wciśnięcie tego przycisku sprawi, że migną dwie żółte diody (domyślne ustawienie twardości wody: B) Następnie naciskaj przycisk do momentu, aż pojawi się odpowiednie ustawienie twardości wody:

Aby wybrać ustawienie twardości wody C, naciskaj przycisk do momentu, aż zaczną migać jedna żółta dioda.

Aby wybrać ustawienie twardości wody B, naciskaj przycisk do momentu, aż zaczną migać dwie żółte diody.

Aby wybrać ustawienie twardości wody A, naciskaj przycisk do momentu, aż zaczną migać +trzy żółte diody (patrz poniższa tabela).

W przypadku korzystania z systemu z wkładem A 1000 nie trzeba ustawiać poziomu twardości i nie będzie to miało wpływu na okres użytkowania wkładu.

- W celu zmiany ustawienia wystarczy wciskać przycisk do momentu, aż zaczną migać właściwa liczba diod.

d Włóż wskaźnik wymiany wkładu BRITA w dźwignię oznaczoną nazwą marki BRITA (patrz rys. 5).

C Jak działa wskaźnik wymiany wkładu BRITA

W celu zapewnienia optymalnych efektów filtracji należy regularnie wymieniać wkład filtrujący. Wskaźnik wymiany wkładu w dźwigni BRITA informuje, kiedy należy wymienić wkład filtrujący.

D Sygnały

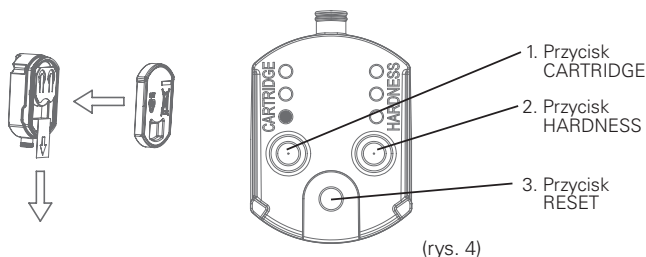
Trzy lampki w dźwigni BRITA włączają się tylko w położeniu filtrowania. Wskazują one:

- Lampka zielona: Filtr BRITA pracuje z optymalną wydajnością.
- Żółta lampka: zużyto 90 % wydajności filtra. Należy pamiętać o zakupie nowego wkładu filtrującego.
- Czerwona lampka: Wkład filtrujący wymaga wymiany.

Dane techniczne:

- Bateria: 1x CR2032 (wyjmowana)
- Trwałość baterii: ok. 2 lata

! Nie zanurzać wskaźnika wymiany wkładu w wodzie.

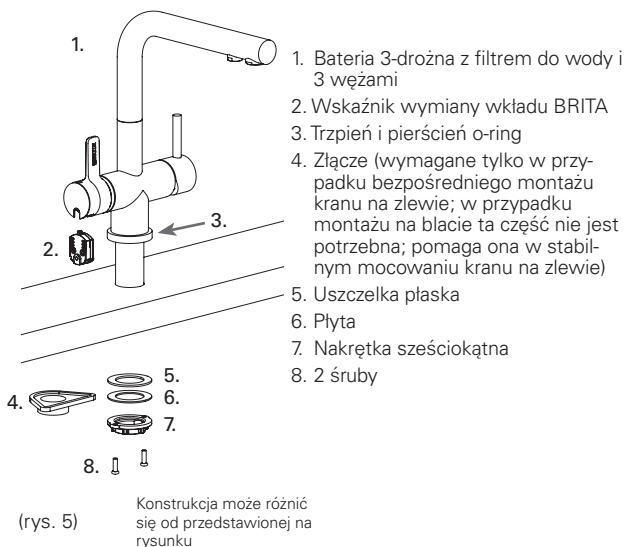


	1 diody	2 diody	3 diody
ustawienie twardości wody (HARDNESS)	C	B	A
ustawienie wkładu (CARTRIDGE)	A 1000	P 1000	P 3000

Krok 3: Montaż baterii 3-drożnej z filtrem do wody

W celu zamontowania baterii z filtrem do wody najpierw należy sprawdzić, czy dostępne są wszystkie wymagane elementy.

! Upewnij się, że pod zlewem jest miejsce oraz odpowiedni dostęp, pozwalający na zamontowanie wkładu, głowicy filtra, a także podłączenie wszystkich węzów.



W pierwszej kolejności zdemontuj dotychczas używany kran kuchenny.

- a) Zamknij dopływ wody ciepłej i zimnej
- b) Doprowadź system do stanu bezcisnieniowego, otwierając wszystkie dźwignie.

! Z kranu kuchennego nie powinna wyciekać woda.

- c) Odkręć dotychczas używane węże od dopływu wody ciepłej i zimnej.



Zalecamy umieszczenie odpowiedniego pojemnika pod dopływem wody, ponieważ w węzłach pozostanie woda, która wycieknie z nich podczas odkręcania.

- d) Odkręć kran kuchenny – nie ma żadnego standardowego mocowania, ale zwykle można to zrobić przy pomocy klucza nastawnego.
- e) Wyciągnij kran kuchenny oraz węże.



Pamiętaj o umieszczeniu odpowiedniego pojemnika pod źródłem wody. Otwórz dopływ wody, aby dokładnie przepłukać rury przed zamontowaniem nowego kranu. Uważaj w przypadku dopływu wody ciepłej.

- f) Włóż baterię 3-drożną z filtrem w otwór 35 mm. Sprawdź, czy elementy są ułożone w odpowiedniej kolejności. Sprawdź położenie kranu i zamontuj nakrętkę sześciokątną, a następnie 2 dodatkowe śruby (rys. 5, nr 7+8).

Krok 4: Zamontuj system filtrujący

Zapoznaj się z poniższym schematem (patrz rys. 6) i wykonaj poszczególne czynności w odpowiedniej kolejności.



Jeżeli w kuchni jest dodatkowy dostęp do wody zimnej 1/2" lub 3/8", do którego można podłączyć baterię 3-drożną z filtrem, nie trzeba instalować dostarczonego trójnika. Jeżeli twoje podłączenie do wody nie pasuje do złącza 3/8", użyj dostarczonego adaptera. Twój Zestaw Instalacyjny zawiera dwa adaptory 1/2".

Montaż trójnika

Połącz dostarczony trójnik z zaworem kątowym do wody zimnej. Upewnij się, czy założona uszczelka jest prawidłowo zamontowana w środku.

Mocowanie węzłów

Na wszystkich węzłach założone są uszczelki. Upewnij się, czy nie brakuje żadnej uszczelki oraz czy są one odpowiednio umieszczone w środku.

A) 3 węże łączące kran z filtrem

- Podłącz węzł z czerwonym paskiem do dopływu wody ciepłej.
- Podłącz węzł z niebieskim paskiem do jednego boku trójnika.
- Podłącz szary węzł 1000 mm podłączony do kranu z filtrem do wylotu głowicy filtra oznaczonego strzałką „OUT”.

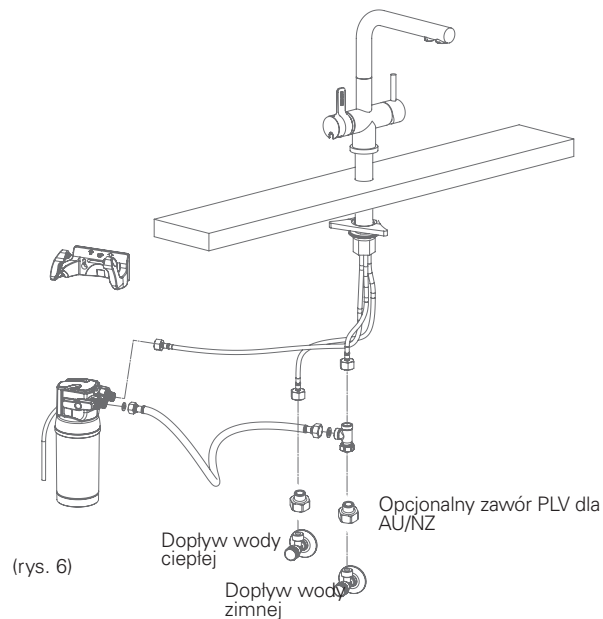
Upewnij się, czy uszczelki są odpowiednio osadzone!

B) Oddzielny węzł dostarczany w zestawie montażowym

- Weź węzł z dwiema złączkami. Podłącz jeden koniec do wolnego boku trójnika.
- Drugi koniec podłącz do wlotu głowicy filtra. Jest on oznaczony jako „IN” (wlot) oraz za pomocą strzałki.

Upewnij się, czy uszczelki są odpowiednio osadzone!

Sprawdź, czy wszystkie połączenia są właściwie dokręcone. Unikaj nadmiernego dokręcania.



(rys. 6)

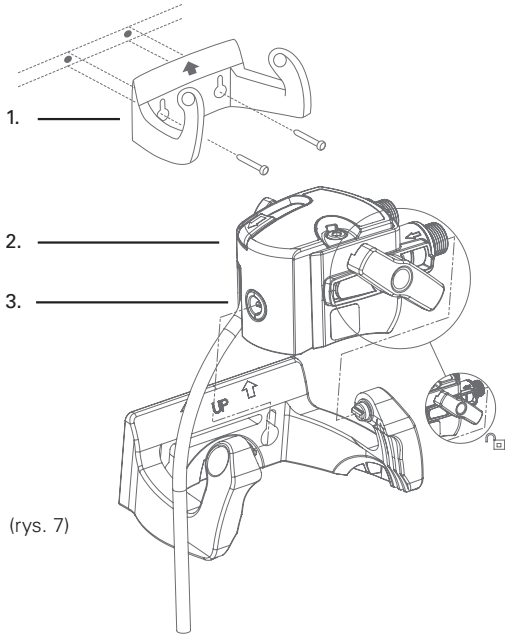


Maksymalny moment dokręcenia złącza G 3/8" nie może przekraczać 14 Nm! Można używać wyłącznie przyłączy węzłów z podkładkami – węże z gwintem stożkowym mogą spowodować uszkodzenie złącza głowicy filtra i utratę gwarancji.

Krok 5 (opcjonalnie): Mocowanie naścienne, zapewniające oszczędność miejsca i umożliwiające zamontowanie wkładu pod zlewem (patrz rys. 7)

A Zamocuj uchwyt do montażu na ścianie, pozwalający na oszczędność miejsca (1), w odpowiednim miejscu, używając dwóch pasujących wkrętów i dwóch kołków (niedostarczane) dostosowanych do rodzaju ściany. Uchwyt musi być zamontowany tak, aby głowicę można było obracać o 90°, co zapewni łatwą wymianę filtra. Zalecana wysokość montażu to 420 mm, która ułatwia ewentualną późniejszą zmianę typu wkładu między P 1000 a P 3000. Minimalna wysokość w przypadku wkładu A 1000/P 1000 to 270 mm. Podczas wyboru odpowiedniego miejsca dla uchwyty ściennego upewnij się, czy węże mają odpowiednią długość, aby mogły być podłączone do głowicy filtra.

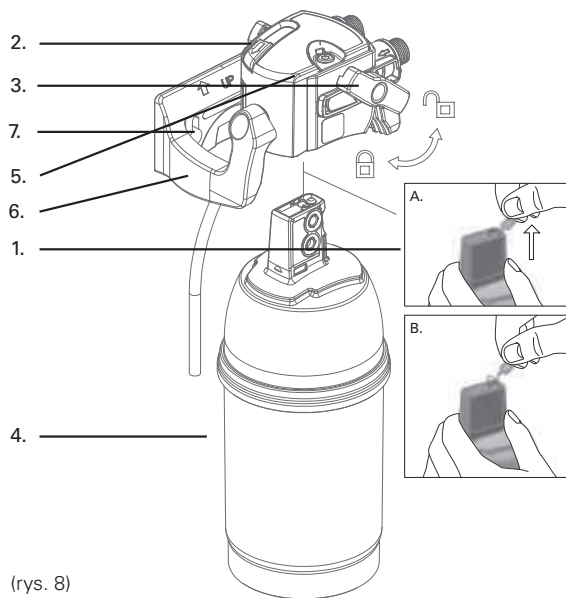
B Włóż głowicę filtra (2) w uchwyt ścienny (1), wykorzystując nacięcia (3) znajdujące się na bokach głowicy, w celu przymocowania jej do ramion uchwyty.



(rys. 7)

Krok 6: Wkładanie wkładu filtrującego (patrz rys. 8)

- A Zdejmij pasek ochronny (1).
- B Włóż wkład filtrujący (4) pionowo w głowicę filtra (5).
- C Obróć uchwyt blokujący (3) aż do kliknięcia.
- D Włóż głowicę filtra (5) w uchwyt ścienny (6). Skorzystaj z otworów mocujących (7).



(rys. 8)

! Wkład filtrujący można włożyć tylko przy otwartym uchwycie blokującym (3). Upewnij się, czy wkład filtrujący i wszystkie pierścienie o-ring są prawidłowo ustawione.

! Podczas montażu zwróć uwagę na wymiary instalacyjne, promienie zginania węży i wymiary akcesoriów. System może pracować z wkładem filtrującym ustawionym w pionie lub poziomie. Jeżeli używany jest uchwyt ścienny, wkład należy montować wyłącznie w pionie, prawidłowo ustawiając strzałkę „UP” umieszczoną na uchwycie.

Krok 7: Uruchomienie

Przed rozpoczęciem użytkowania należy sprawdzić, czy prawidłowo wykonano wszystkie poszczególne czynności oraz czy zamontowano wszystkie części. Umieść pod wkładem odpowiedni pojemnik na ewentualnie wyciekającą wodę.

- A Otwórz dopływ wody ciepłej i zimnej oraz dokładnie sprawdź szczelność systemu.
- B Otwórz dźwignię baterii oznaczoną BRITA i zaczekaj, aż filtrowana woda będzie przezroczysta i pozbawiona bąbelków (przynajmniej 1 litr).

Wymiana wkładu filtrującego

W przypadku osiągnięcia maksymalnej wydajności lub jeśli wkład będzie używany przez maksymalną liczbę miesięcy, licząc od momentu jego aktywacji, wskaźnik wymiany wkładu BRITA będzie migał na czerwono, przypominając o konieczności jego wymiany. (Maksymalny okres trwałości wkładu w miesiącach jest podany w danych technicznych, patrz strona 10)

! Przed wymianą filtra przeczytaj informacje dotyczące obsługi i bezpieczeństwa (rozdział 9).

UWAGA Aby ułatwić wyjęcie wkładu filtrującego, można obrócić go o 90° w uchwycie na ścianie. Otwarcie uchwytu blokującego powoduje odcięcie dopływu wody do wkładu bez konieczności zamykania zaworu kątownego.

Wymiana wkładu filtrującego (patrz rys. 8):

- A Otwórz uchwyt blokujący (3).
- B W celu odpowietrzenia, umieść wężyk płuczący w odpowiednim pojemniku, a następnie otwórz zawór płuczący (2). Zamknij zawór płuczący (2).
- C Wyjmij zużyty wkład filtrujący (4) z głowicy filtra (5).
- D Włóż nowy wkład filtrujący (patrz krok 6, rozdział 2)
- E Zamknij uchwyt blokujący (3)
- F Zresetuj wskaźnik wymiany wkładu BRITA (patrz krok 2, rozdział 2)
- G Otwórz dźwignię oznaczoną BRITA i płucz filtr do momentu, aż filtrowana woda będzie przezroczysta i pozbawiona bąbelków (przynajmniej 1 litr).

Aktywacja wskaźnika wymiany wkładu BRITA

- A Wciśnij przycisk resetowania (patrz rys. 4) wskaźnika wymiany wkładu BRITA i przytrzymaj go przez trzy sekundy do momentu, aż dioda zacznie migać na zielono.
- B Licznik uruchamia się automatycznie.

Ważne uwagi – ryzyko uszkodzenia!

Regularnie sprawdzaj szczelność systemu filtrującego. Regularnie sprawdzaj czy węże nie są skręcone. Skręcone węże należy wymienić.

! Przed wymianą systemu filtrującego należy przeczytać dane techniczne (rozdział 6) i informacje dotyczące obsługi oraz bezpieczeństwa (rozdział 7).

Zewnętrzna część systemu filtrującego należy regularnie czyścić miękką, wilgotną ściereczką.

! Nie stosować ściernych chemikaliów, roztworów czyszczących ani agresywnych środków czyszczących.

Zaleca się regularne czyszczenie kranu i aeratora, w zależności od potrzeby. Powierzchnię kranu czyścić łagodnym detergentem i szmatką z mikrofibry. Szczególnie w przypadku pobierania z kranu wody niefiltrowanej, wokół aeratora może gromadzić się kamień. Częstość czyszczenia aeratora zależy od twardości wody. Aby usunąć brud i kamień, należy odkręcić nakrętkę obrotową i wyjmij areator.

Rozwiązywanie problemów

A Brak przepływu wody

- Przyczyna: Zamknięty dopływ wody.
- Rozwiązywanie problemów: Otwórz dopływ wody, odkręcając zawór zamykający lub zamknij uchwyt blokujący (3) na głowicy filtra (5).

B Brak przepływu wody lub słaby przepływ mimo otwartego dopływu wody

- Przyczyna: Zbyt niskie ciśnienie w sieci.
- Rozwiązywanie problemów: Sprawdź ciśnienie w sieci. Jeżeli usterka będzie nadal występowała, sprawdź kran filtrujący i wkład filtrujący oraz wymień je w razie potrzeby.
- Przyczyna: Głowica filtra nie jest zamontowana zgodnie z kierunkiem przepływu wody.
- Rozwiązywanie problemów: Zdemontuj głowicę filtra i zainstaluj ją zgodnie z kierunkiem przepływu wody (patrz krok 4, rozdział 2).

C Wyciek

- Przyczyna: Nieprawidłowo skręcone połączenia
- Rozwiązywanie problemów: Sprawdź ciśnienie w sieci. Sprawdź wszystkie połączenia zgodnie z (patrz krok 4, rozdział 2).

D Brak wskazań diod podczas użytkowania filtra

- Przyczyna: Nie włożono baterii lub jest ona wyczerpana.
- Rozwiązywanie problemów: Sprawdź, czy bateria jest prawidłowo włożona. Wymień baterię w razie potrzeby. Sprawdź również, czy usunięte zostało plastikowe zabezpieczenie

Zaleca się regularne czyszczenie kranu i aeratora, w zależności od potrzeby. Powierzchnię kranu należy czyścić łagodnym detergentem i szmatką z mikrofibry. Szczególnie w przypadku pobierania z kranu wody niefiltrowanej, wokół aeratora może gromadzić się kamień. Częstość czyszczenia aeratora zależy od twardości wody. Aby usunąć brud i kamień, należy odkręcić nakrętkę obrotową i wyjąć perlator.

6.1 Dane techniczne wkładów filtrujących

Ciśnienie robocze wkładu filtrującego		P 1000 P 3000 A 1000	od 2 barów do maks. 8,6 bara " " od 0,1 MPa do maks. 0,36 MPa
Temperatura pobieranej wody		4°C do 30°C	
Temperatura otoczenia podczas	użytkowania	4°C do 40°C	
	przechowywania/ transportu	-20°C do 50°C	
Pozycja montażowa		pozioma i pionowa	
Połączenie odpływu wody		G3/8"	
Wydajność przy twardości wody do 10° dH przy ustawieniu „A”	P 1000	1200 l	
	P 3000	3400 l	
Wydajność przy twardości wody od 10 do 17° dH przy ustawieniu „B”	P 1000	600 l	
	P 3000	1700 l	
Wydajność przy twardości wody od 17 do 24° dH przy ustawieniu „C”	P 1000	400 l	
	P 3000	1100 l	
Wydajność A 1000		do 4000 l/6 miesięcy	
Spadek ciśnienia przy nominalnym przepływie roboczym	A 1000	0,2 – 1,4 bara	
Waga (suchy/mokry)	P 1000	1 kg/1,6 kg	
	P 3000	1,8 kg/2,8 kg	
	A 1000	0,5 kg/1 kg	

Wymiary (szerokość/ głębokość/ wysokość)	System filtrujący (głowica filtra z wkładem filtrującym)	P 1000	119/108/268 mm
		P 3000	117/104/419 mm
		A 1000	109/93/238 mm
	Wkład filtrujący	P 1000	108 mm/108 mm/259 mm
		P 3000	104 mm/104 mm/410 mm
		A 1000	88/88/231 mm
	Wymiary instalacyjne (instalacja w pionie za pomocą uchwyty montażowego na ścianie)	P 1000	137/130/268 mm
		P 3000	137/128/419 mm
		A 1000	137/120/238 mm
Wydajność filtra		A 1000	Niezależne badanie laboratoryjne* wykazało przynajmniej 97-procentową skuteczność redukcji następujących substancji w przypadku pomiaru przy 4000 l: chlor, bromoform, bromodichlorometan, tetrachloroetylen, dibromochlorometan, trichloroetylen
Zatrzymywanie cząstek NSF 42		A 1000	Klasa I (0.5 µm)
Redukcja chloru NSF 42		P 1000	Klasa I (50 %)
		P 3000	
		A 1000	Klasa I (50 %)
Redukcja chloru DIN EN 14898		P 1000	Klasa I (> 90%)
		P 3000	Klasa 1 (> 90 %)
		A 1000	

* Na podstawie wyników testu opartego na JIS S 3201 (japońskie normy przemysłowe)

6.2 Dane techniczne baterii 3-drożnej z filtrem do wody

Ciśnienie robocze	od 0,5 bara do maks. 10 barów		
Przyłącze zimnej wody	od 4°C do 30°C		
Przyłącze ciepłej wody	maks 70°C		
Natężenie przepływu wody filtrowanej	3,5 l/min		
Natężenie przepływu wody niefiltrowanej	7 l/min (kran prostokątny) 8 l/min (kran okrągły)		
Znamionowy poziom akustyczny	Group II/-		
	Waga	Wymiary (szerokość/ głębokość/wysokość)	Aerator
Prostokątna bateria 3-drożna	2,3 kg	18,1 cm / 26,1 cm / 29,0 cm	M24x1 M18x1 (woda niefiltrowana)
Okrągła bateria 3-drożna	2,3 kg	18,1 cm / 22,7 cm / 40,0 cm	M24x1, 8 L/min



System nie może być zainstalowany z kotłem niskociśnieniowym, ponieważ może to doprowadzić do uszkodzeń spowodowanych przeciekami wody.

6.3 Ilość wody do płukania po okresie przestoju

Objętość wody płuczającej po 2–3 dniach bezczynności	Objętość wody płuczającej X
P 1000	2 litry
P 3000	3 litry
A 1000	1 litry
Ilość wody do płukania po 4 tygodniach przestoju	Ilość wody płuczającej Y
P 1000	20 litrów
P 3000	30 litrów
A 1000	10 litrów

Obsługa i bezpieczeństwo

Chronić wkład filtrujący do wody przed uszkodzeniem mechanicznym i bezpośrednim działaniem światła słonecznego.

Nie montować w pobliżu źródeł ciepła i otwartego ognia. Przed wżęciem wlotowym systemu filtrującego musi być zainstalowany zawór odcinający. Przed kranem i systemem filtrującym musi być zainstalowany reduktor ciśnienia. Bateria 3-drożna BRITA jest przeznaczona wyłącznie do użytku domowego. System filtrujący BRITA można być podłączony do wody zdatnej do picia.

Wkład filtrujący BRITA służy wyłącznie do filtrowania wody zimnej o temperaturze podanej w rozdziale 6. Bez uprzedniej dezynfekcji nie można stosować wody zanieczyszczonej mikrobiologicznie ani wody o nieznannej jakości.

System nie działa w połączeniu z pogrzewaczami niskociśnieniowymi.

Niezależnie od rodzaju używanej wody, należy używać naczyń ze stali nierdzewnej lub czajników z elementem grzewczym ze stali nierdzewnej. Jest to szczególnie ważne w przypadku osób uczulonych na nikiel.

W przypadku oficjalnego ostrzeżenia dotyczącego jakości wody należy najpierw filtrować, a następnie gotować

W przypadku obowiązywania oficjalnego nakazu gotowania wody kranowej nie należy używać systemu filtrującego. Po ustaniu wymogu gotowania wody należy wymienić wkład filtrujący i wyczyścić wszystkie połączenia.

Higiena przede wszystkim

- Ze względów higienicznych złożo filtrujące wkładu P 1000/ P 3000 podlega specjalnej obróbce z użyciem srebra. Niewielka ilość srebra może być przenoszona do wody. Ta zawartość spełnia wytyczne Światowej Organizacji Zdrowia (WHO).
- Zaleca się gotowanie wody kranowej dla niektórych grup ludzi (np. ludzi z osłabionym układem odpornościowym, niemowląt). W przypadku tych osób dotyczy to także wody filtrowanej.

Podobnie jak w przypadku używania zwykłych baterii kuchennych, przed użyciem baterii BRITA należy spuścić wodę przez chwilę, w celu uzyskania najlepszej filtrowanej wody.

Optymalne wykorzystanie

- BRITA zaleca, aby unikać długich okresów czasu, podczas których system filtrujący nie jest używany. Jeżeli bateria 3-drożna BRITA nie będzie używana przez kilka dni (2 – 3 dni), zalecamy przepłukanie systemu filtrującego wodą o objętości X podanej w tabeli na stronie 11. Jeżeli okres bezczynności przekroczy 4 tygodnie, filtr należy przepłukać wodą o objętości Y, patrz strona 11. Należy również pamiętać, że wkładu filtrującego można używać przez maksymalnie 12 miesięcy bez względu na jego rzeczywiste użycie.
- Filtrowana woda BRITA jest przeznaczona do spożycia przez człowieka. Należy zużyć ją w ciągu 1 – 2 dni.
- Podczas pracy nie wolno otwierać ani demontować systemu filtrującego. Wkładu filtrującego nie wolno otwierać.
- Trwałość głowicy filtra systemu filtrującego wynosi 5 lat, licząc od daty montażu.

Wrażliwość na potas

Podczas procesu filtracji może nastąpić nieznaczny wzrost poziomu potasu. Jednak jeden litr filtrowanej wody BRITA zawiera mniej potasu niż na przykład jabłko. W przypadku choroby nerek i/lub konieczności stosowania diety ograniczającej spożycie potasu zalecamy skonsultowanie się z lekarzem przed użyciem filtra do wody.

Naturalne cząstki

Ponieważ wkład filtrujący zawiera węgiel pozyskiwany z naturalnego węgla drzewnego, mogą występować różnice w materiale, w wyniku których w wodzie filtrowanej mogą pojawiać się niewielkie ilości małych cząsteczek węgla mających postać czarnego pyłu. Cząstki te nie mają negatywnego wpływu na zdrowie. W przypadku ich połknięcia zostaną one w niezminionej postaci wydalone z organizmu w naturalny sposób. W przypadku zauważenia cząsteczek węgla w wodzie filtrowanej, BRITA zaleca płukanie wkładu filtrującego A 1000 poprzez odkręcenie filtrowanej wody i przelewanie jej do momentu gdy cząsteczki przestaną się pojawiać.

Wyłączenie odpowiedzialności

BRITA nie ponosi odpowiedzialności za żadne szkody, w tym szkody spowodowane przez nieprawidłowe użytkowanie produktu.

100% satysfakcji: gwarancja BRITA

Jesteśmy głęboko przekonani, że ten produkt BRITA spełni Twoje oczekiwania w zakresie jakości i wydajności. Jeżeli nie spełni on Twoich oczekiwań, przyjmujemy jego zwrot w ciągu 30 dni od daty zakupu i zwrócimy cenę jego zakupu. Wystarczy wysłać produkt z dowodem zakupu (paragon) i podać przyczynę niezadowolenia, swój numer telefonu i numer konta bankowego, na adres działu obsługi klienta w swoim kraju (podany z tyłu niniejszej broszury).

Program recyklingu BRITA: dla naszego środowiska

Aby dowiedzieć się jakie są możliwości oddania zużytych wkładów skontaktuj się działem obsługi klienta w swoim kraju. Więcej informacji na temat BRITA: Szczegółowe informacje dotyczące recyklingu można znaleźć na stronie www.brita.pl.



Prawidłowa utylizacja wskaźnika wymiany wkładu BRITA

Okres trwałości każdego wskaźnika wymiany wkładu BRITA wynosi ok. 5 lat. Po upływie tego okresu wskaźnik należy zutylizować zgodnie ze wszystkimi obowiązującymi zaleceniami i przepisami.



Infolinia serwisu BRITA

Masz pytania na temat swojego produktu BRITA?

Lub dotyczące filtracji wody? Zadzwoń do nas!

Dane kontaktowe działu obsługi klienta BRITA w Twoim kraju są podane obok kodu kraju z tyłu niniejszej broszury.

Najlepsza na temat wody: www.brita.net

Szukasz najbliższego sprzedawcy produktów BRITA? Chcesz uzyskać bardziej szczegółowe informacje dotyczące produktów BRITA? Lub na temat firmy BRITA?

Chcesz maksymalnie wykorzystać jedną z ofert serwisowych BRITA? Aktualne informacje, wskazówki dla konsumentów, konkursy sezonowe, przepisy na pyszną kawę i herbatę są dostępne przez całą dobę na stronie www.brita.pl.

Rejestracja produktu w Internecie

Zarejestruj swój produkt na stronie www.register.brita.net, aby uzyskać dodatkowe korzyści.

GB BRITA Water Filter Systems Ltd.
BRITA House, 9 Granville Way,
Bicester, Oxfordshire, OX26 4JT, UK
BRITACare: 0344 7424800

DE BRITA SE
Heinz-Hankammer-Straße 1
65232 Taunusstein
Germany
Verbraucherservice: 0800 - 500 19 19

FR BRITA France S.A.R.L.
52 Boulevard de l'Yerres
91030 EVRY Cedex France
N°AZUR* : 0810 73 15 45
*Prix d'un appel local (Lun-Ven de 10h à 13h)
Ou : sc@brita-france.fr
www.brita.fr

IT BRITA ITALIA S.r.l.
Via Zanica, 19K,
I-24050 Grassobbio (BG)
Tel: +39 035 203 447
Numero Verde: 800 913 716
Fax: +39 035 199 62 232
www.brita.it

ES BRITA Iberia S.L.U.,
Carrer de Valencia, 307, 2º 4ª,
08009 - Barcelona
E-Mail: sac@brita.net
Tel.: 900 802 842
Fax: 0034 93 342 75 71
www.brita.es

NL Contactadres:
BRITA Benelux BV
Kanaaldijk Noord 109G
5642 JA Eindhoven
Tel.: 0031 40 2818082
Tel.: 00800 14789632
www.brita.nl

PL BRITA Polska Sp.z o.o.
Ołtarzew, ul. Domaniewska 6
05-850 Ożarów Mazowiecki, Polska
Tel.: +48 22 720 24 40
Faks: +48 22 721 24 49
www.brita.pl

